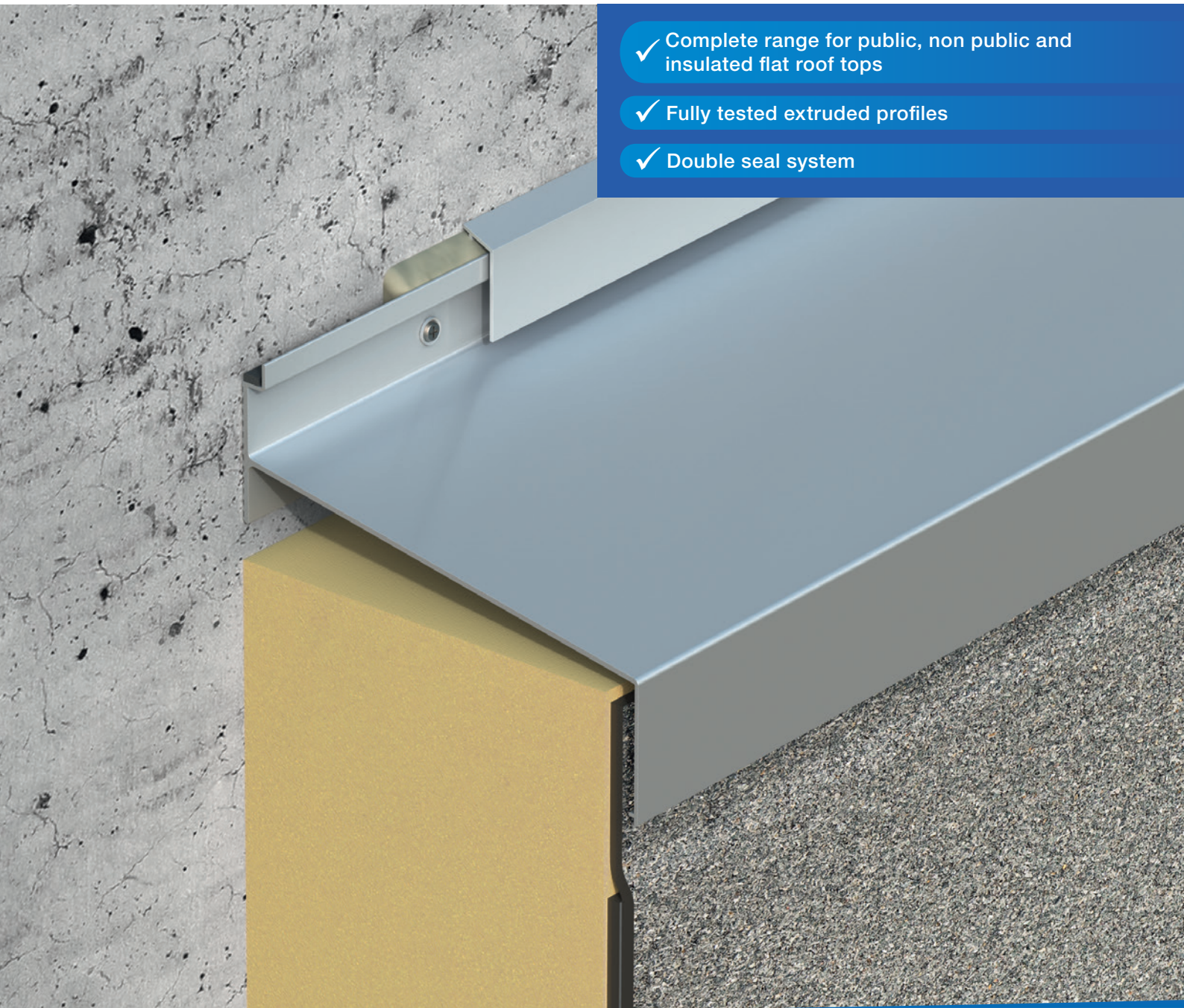




Solinet®

Aluminium flashing systems



- ✓ Complete range for public, non public and insulated flat roof tops
- ✓ Fully tested extruded profiles
- ✓ Double seal system

Ideas + Aluminium = dani alu



dani alu

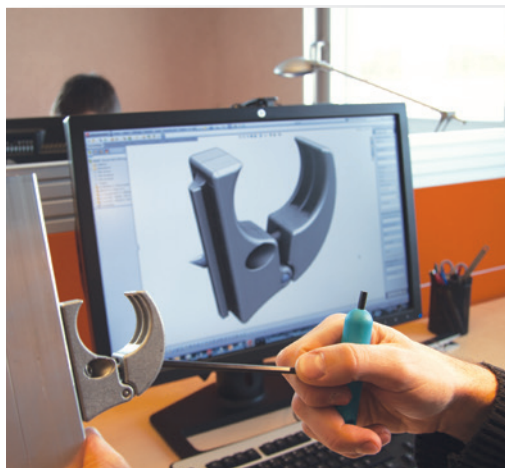
family owned company since 1979, dani alu has become in 35 years a European leader in flat roof and facade systems. Dani alu is a leader in the development, production and supply of aluminium building components.

Listen

dani alu is a dedicated customer oriented team carefully listening to it's customers and prescribers needs in order to support them through their problem analysis and finding adapted technical solutions.

Innovation

Innovation is at the heart of the dani alu philosophy and we are keen in constantly improving our existing products and developing new ones always more performant.



Production

dani alu insures reactivity and flexibility to your project thanks to two production sites in France, in Lyon and Paris region. 100% French fabrication.

Powder coating is fully integrated in the manufacturing plant. The Danilac label is characterized by an environment friendly powder coating procedure

Quality

The entire staff is quality oriented during all manufacturing stages. We propose full assistance from study to implementation.



Description of the system



Solinet® is the registered trade mark of aluminium flashing systems patented in France and abroad.

They are used in the following fields:

Protection of roof covering upstands

All our solinets® are certified by the french CSTB (French building procedure board).

For compliant use of the system, the use of the accessories is essential (junction pieces, angle pieces, aluminium protection on a flat roof accessible to the public and Danivit stainless steel fixings).

Flat roofs with paving slab on supports

In the case of flat roofs with paving slab on supports, a Solinet® slab-support provides dual use as protection for the roof covering skirtings and as a support for the paving slab on supports.

Low impact labeled buildings (French BBC, BEPOS...).

Solinet® serie 50 enables to cover insulated upstands up to 160 mm thick in accordance with the French CSFE requirements

Public works

Solinet® Special bridge and car park is a product especially designed to meet heavy stresses.

Recommended by the French SETRA (public work board).

Mechanical fixing of membranes

Fixnet provides a mechanical fixing for membranes such as PVC, etc.

Pitched roof coverings

Solinet® 70 has been designed for use on traditional pitched roofs.

Patented system. Registered trade marks and designs.

Examples of use are given for information purposes only.

In the catalogue, all measurements are given in mm.

References



Solinet® Bridge ans parking



Solinet® 10/110 with aluminium protective cover



Solinet® 25/150 with aluminium protective cover

Characteristics of Solinet®

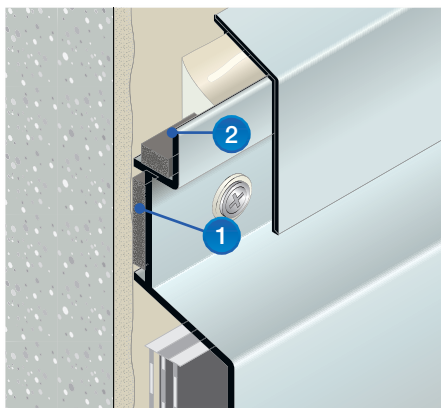
The profiles in the Solinet® range are supplied in standard lengths of 3000 mm. They are pre-drilled in the factory every 300 mm.

Each 3000 mm length carries dani alu's brand name as a mark of guarantee.

The available finishes are:

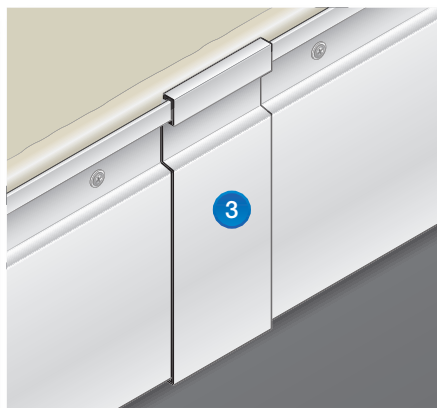
- Mill finish aluminium: non-treated aluminium, reflective appearance, turning matt over time
- Danilac powder-coated aluminium to any RAL colour

- Uneven double seal flashing system to protect the upstand including:
 - top seal for the sealant to last longer.
 - The foam at the rear makes good any irregularities and forms a barrier between the roof covering and the gun-applied sealant.
- The accessories necessary for the waterproofness of the junctions are factory made and fabriqué en usine.

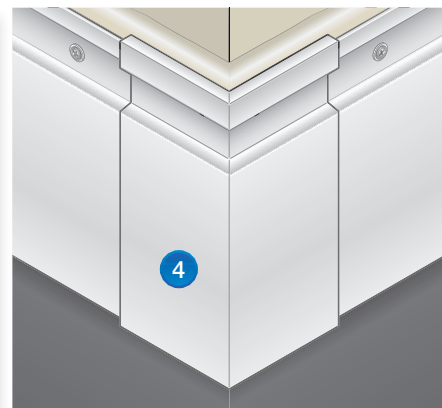


1) **The foam** at the rear makes good any irregularities and forms a barrier between the roof covering and the gun-applied sealant.

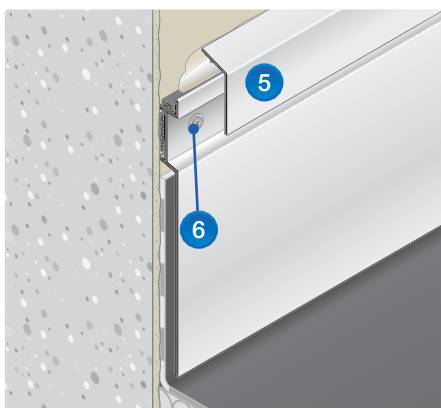
2) Adequate throat with **joint backing**, allowing the gun-applied sealant to move in three dimensions.



3) **Junction sleeves**, providing a perfect alignment between units and an effective joint overlap, while leaving an appropriate tolerance for expansion.

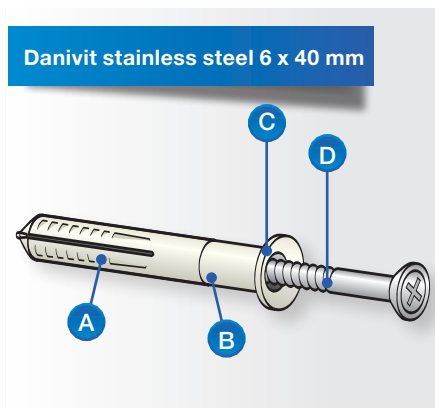


4) **Angle sleeves**, avoid mitres cutting, reduce fixings and provide a high-quality, watertight finish.



5) **Aluminium protective** cover protects the fixing from the weather, as well as the gun-applied sealant from UV and provides an attractive finish. It is mandatory on a flat roof top accessible to the public.

6) **Danivit fixing** for solid concrete that can be unscrewed in the event of dismantling.

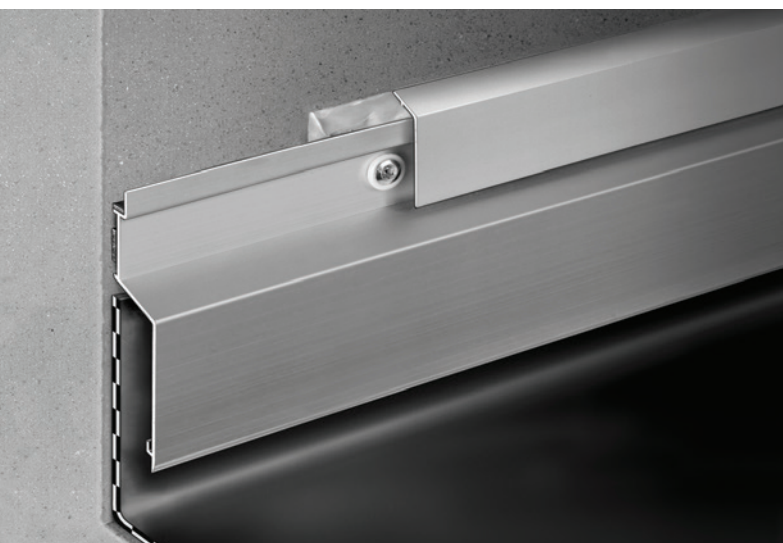


- A) Plastic plug expansion zone
- B) Compressible section
- C) Collar, acts as a support washer
- D) Expanding unit – stainless steel bolt with cross-head for dismantling



Informations laquage, nettoyage et entretien de l'aluminium sur www.danialu.com ou avec ce **code QR**.

How to choose the right pattern



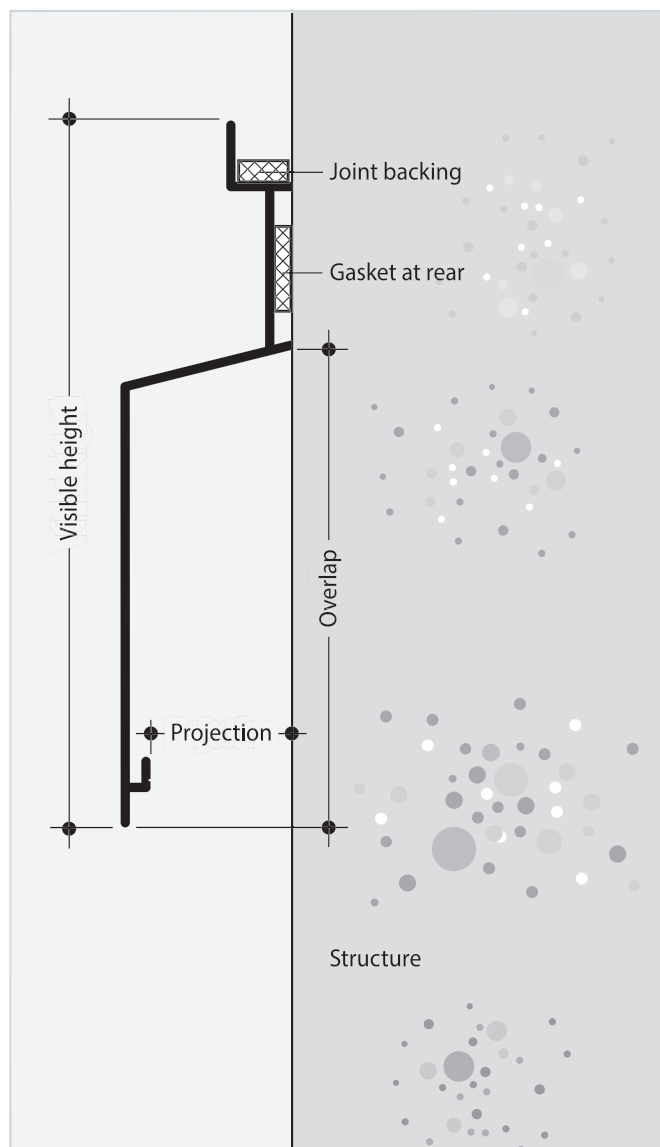
The questions to be asked are:

- Under what circumstances am I? Have I properly analysed my problem? In the event of doubt, call us.
- Under what accessibility conditions am I?
- Does the work include a lot of angles to be dealt with, curved sections?
- In what climate zone is the site located?
- What overlap or visible height do I need?
- Have I received the technical supervisor's approval of the pattern of Solinet proposed?
- Does the roof covering upstand include insulation?
- If yes, what thickness?

Solinet pattern					Access class				
	Projection mm	Overlap mm	Visible height mm	Ease of bending	Inaccessible or technical platforms	Accessible private	Accessible public (+ aluminium protection)	Car Park	Green roof or garden
15/40	15	40	73		●	●			●
10/50	10	50	87	●	●	●			●
10/110	10	110	147	●	●	●	●		●
20/60	20	60	100		●	●			●
20/100	20	100	140		●	●	●		●
15/50	15	50	88		●	●			●
40/50	40	50	92		●	●	●		●
60/50	60	50	100		●	●	●		●
100/50	100	50	100		●	●	●		●
160/50	160	50	115		●	●	●		●
100/100	100	100	150		●	●			●
25/150	25	150	183		●	●	●		●
160	15	120	159		●	●	●		●
Contour	10	Varies		●	●	●			●
Slab-support	11	40	77		●	●	●		●
Special bridge and car park	12	110	145			●	●	●	

An obvious idea:

This special joint backing allows the sealant to retain all of its elasticity over time, containing expansion and thus avoiding cracking by torsion.



Solinet® 15/40

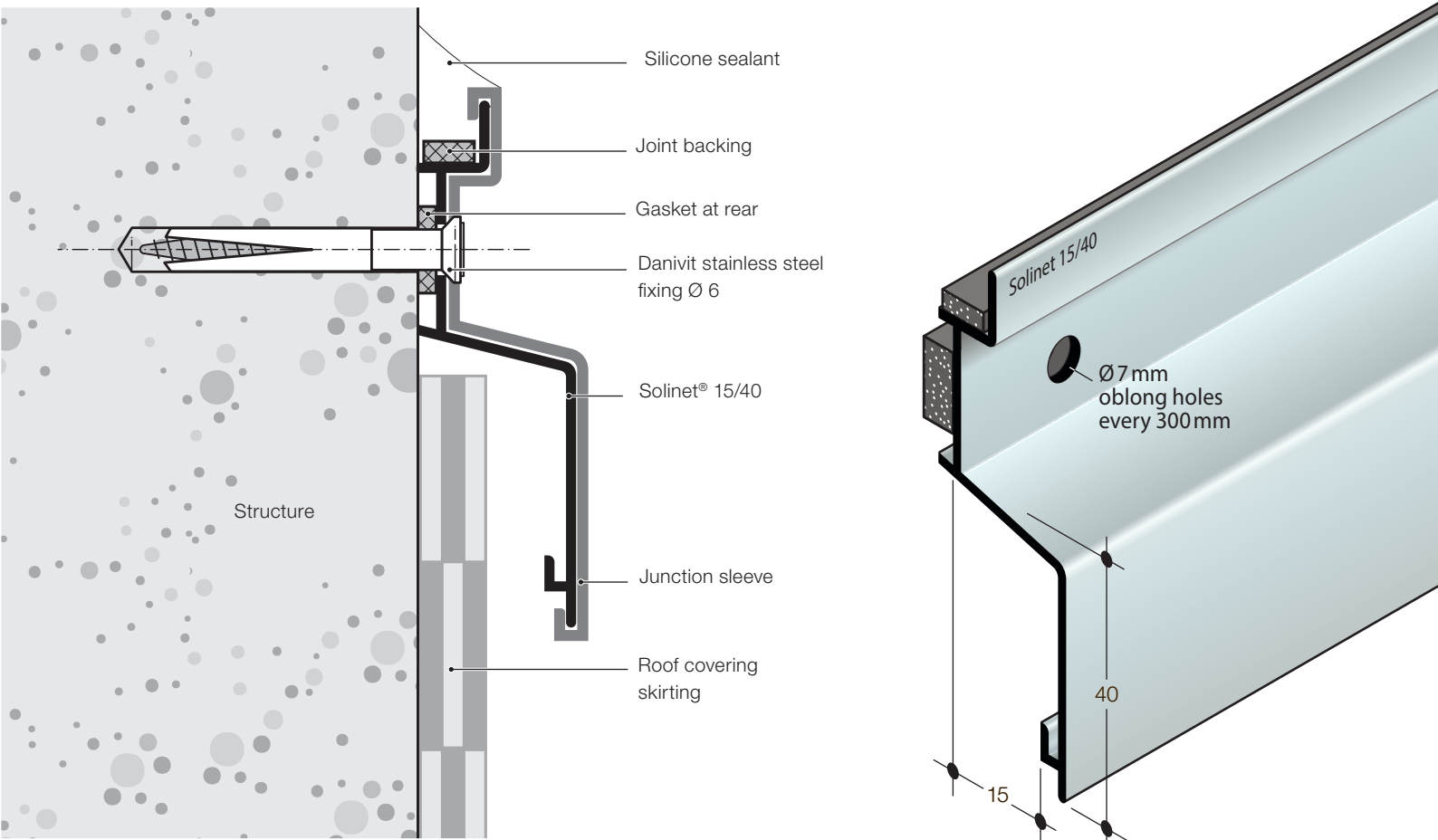
French CSTB (french building procedure board) approved certificate for:

- inaccessible flat roof or technical platforms;
- private accessible flat roof;
- green roof or garden

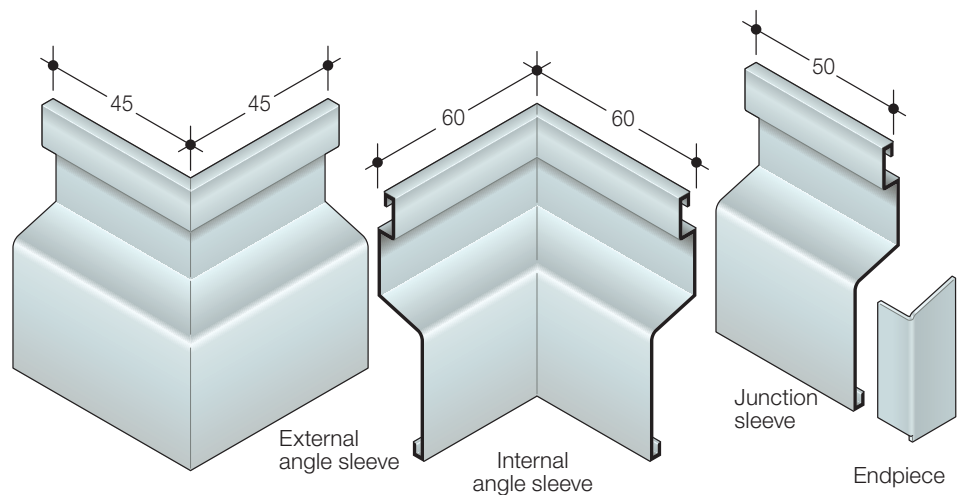
Example of use

As a replacement for zinc or galvanised strips and concrete filllets

Ech. 1/1



Accessories for Solinet® series 15/40

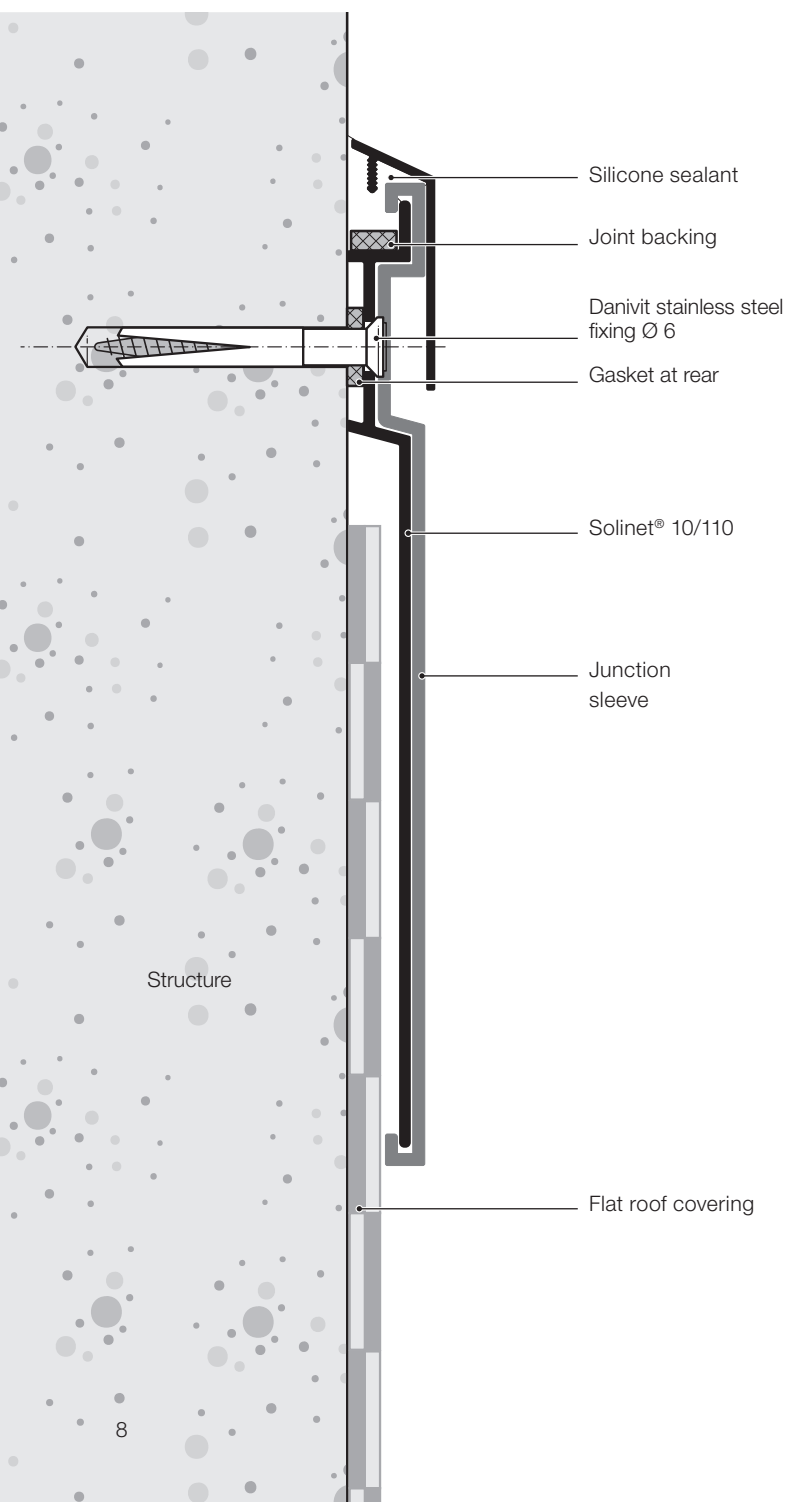


Solinet® series 10

Example of use

Solinet® 10/110

Ech. 1/1



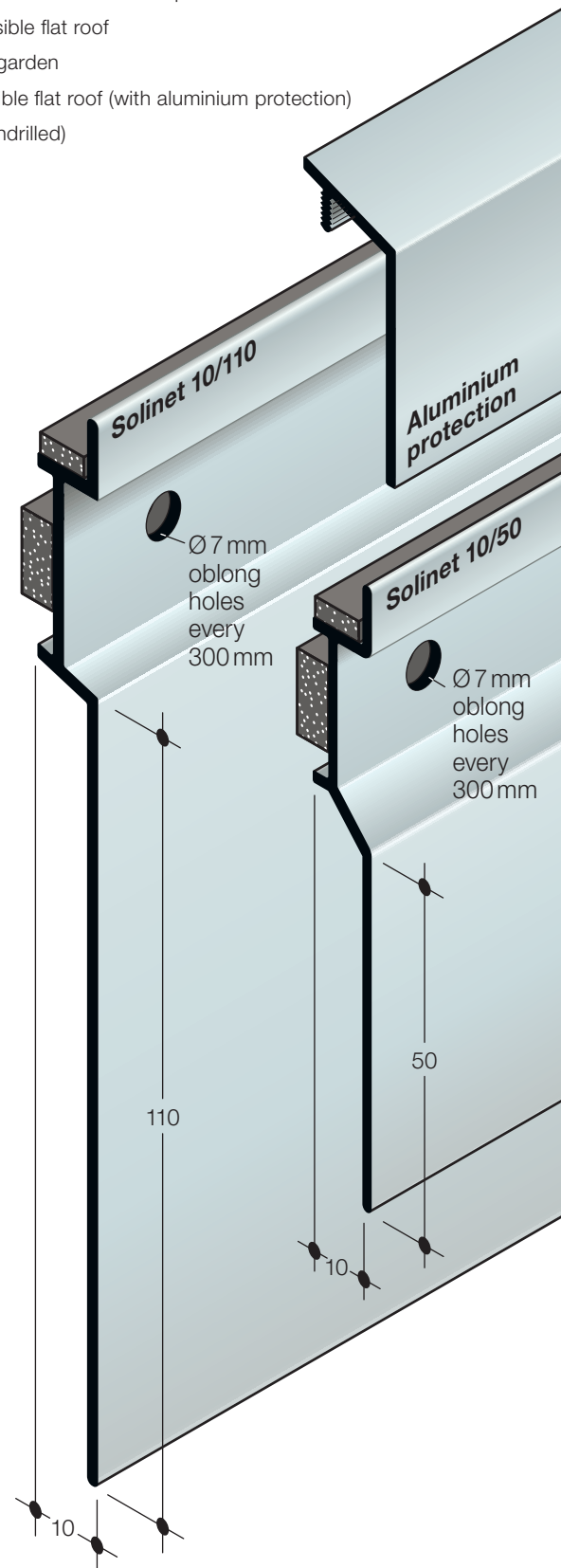
French CSTB (french building procedure board) approved certificate for:

Solinet® 10/50

- inaccessible flat roof or technical platforms
- private accessible flat roof
- green roof or garden
- bendable (if undrilled)

Solinet® 10/110

- inaccessible flat roof or technical platforms
- private accessible flat roof
- green roof or garden
- public accessible flat roof (with aluminium protection)
- bendable (if undrilled)



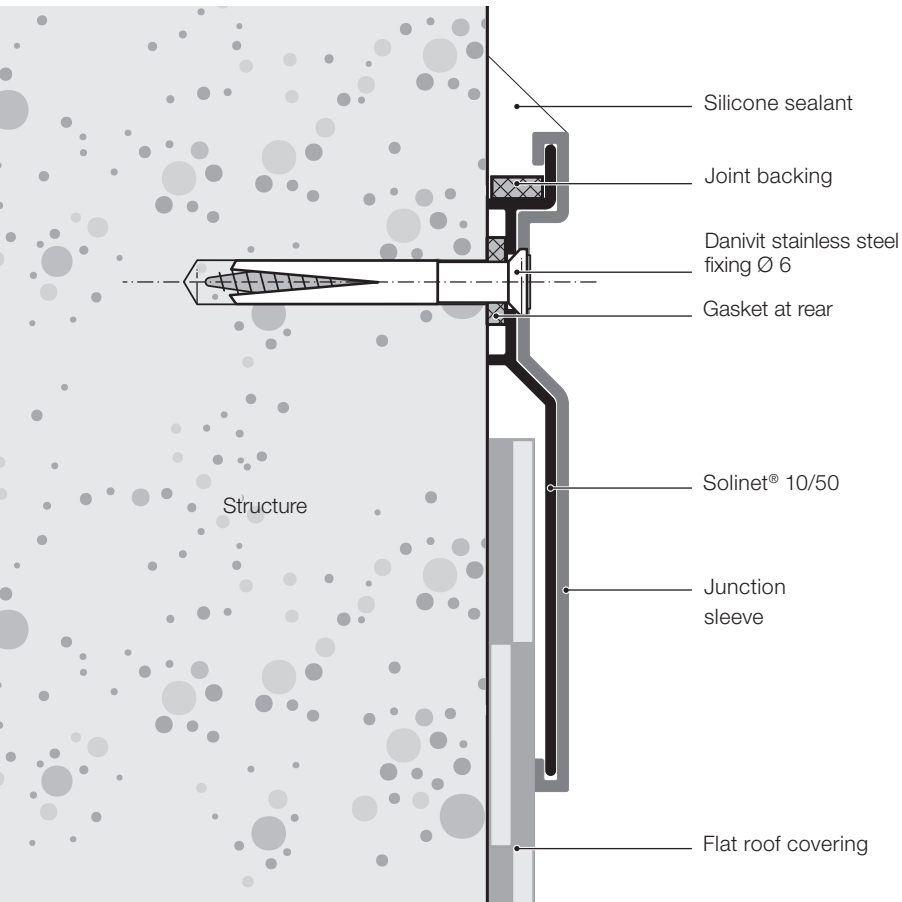
Solinet® Série 10



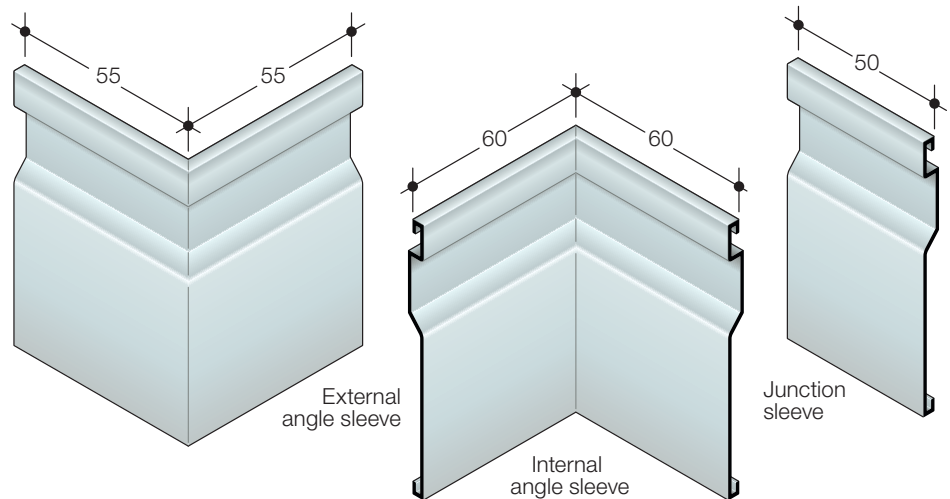
Example of use

Solinet® 10/50

Ech. 1/1



Accessories for Solinet® series 10



Solinet® Série 20

French CSTB (french building procedure board) approved certificate for:

Solinet® 20/60

- inaccessible flat roof or technical platforms
- private accessible flat roof
- green roof or garden

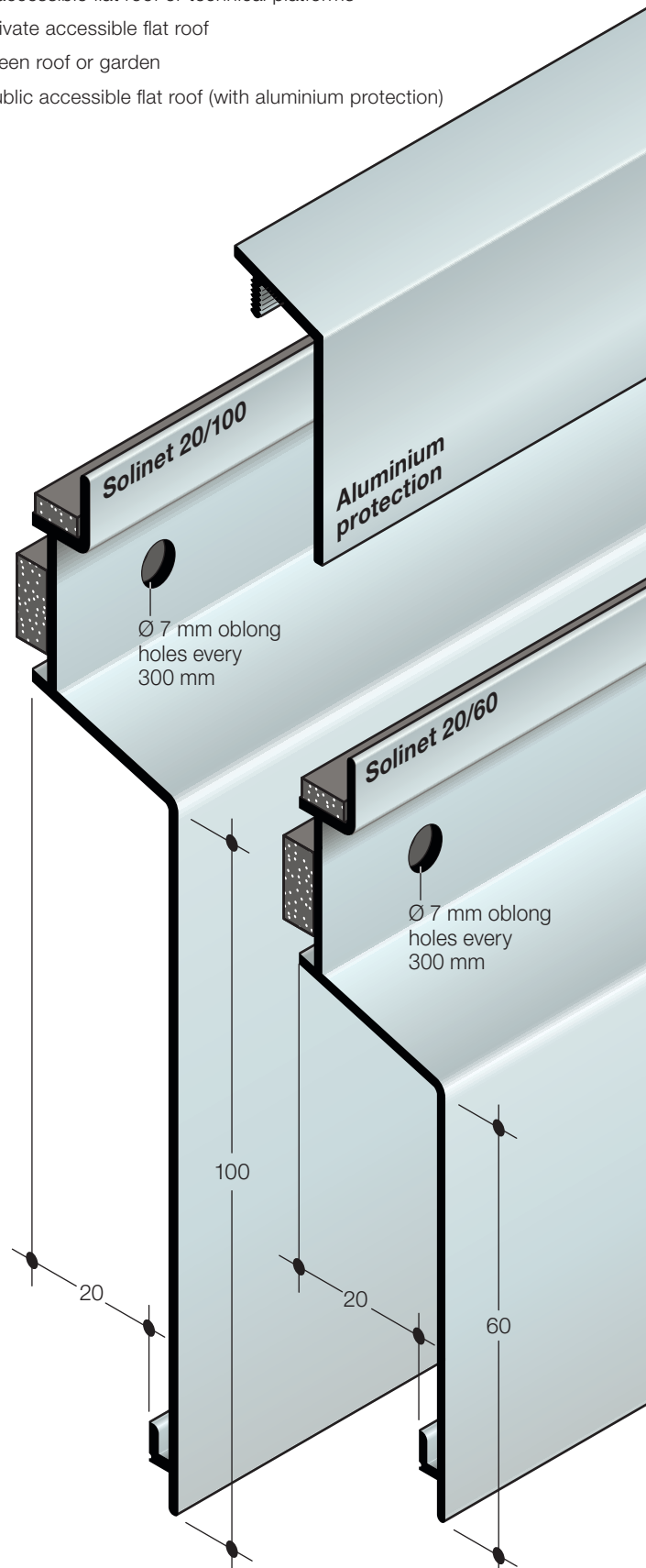
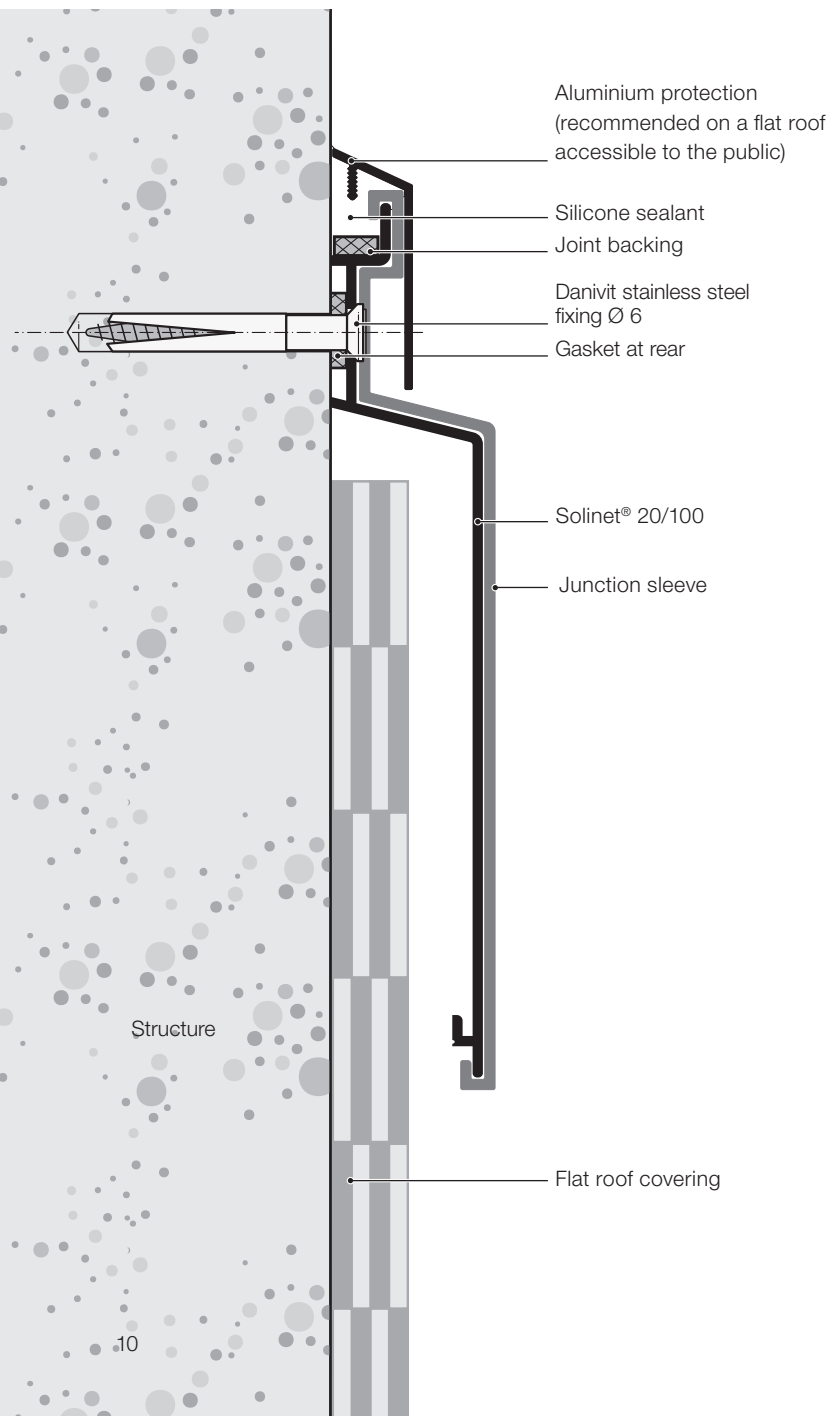
Solinet® 20/100

- inaccessible flat roof or technical platforms
- private accessible flat roof
- green roof or garden
- public accessible flat roof (with aluminium protection)

Example of use

Solinet® 20/100

Ech. 1/1

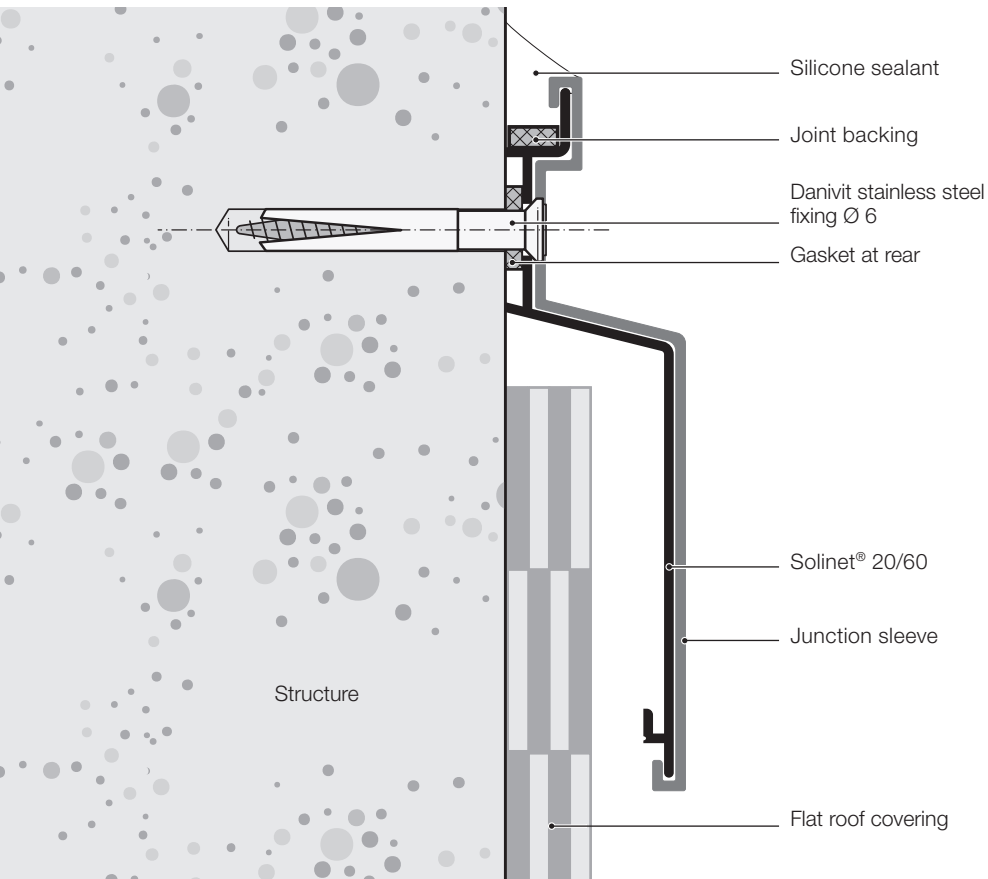


Solinet® Série 20

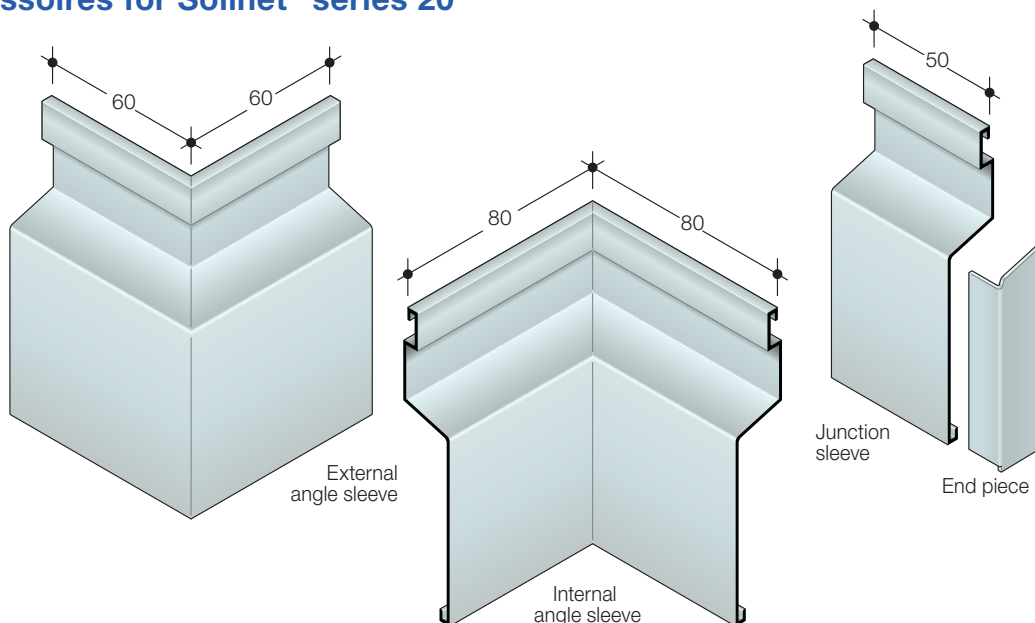
Example of use

Solinet® 20/60

Ech. 1/1



Accessoires for Solinet® series 20

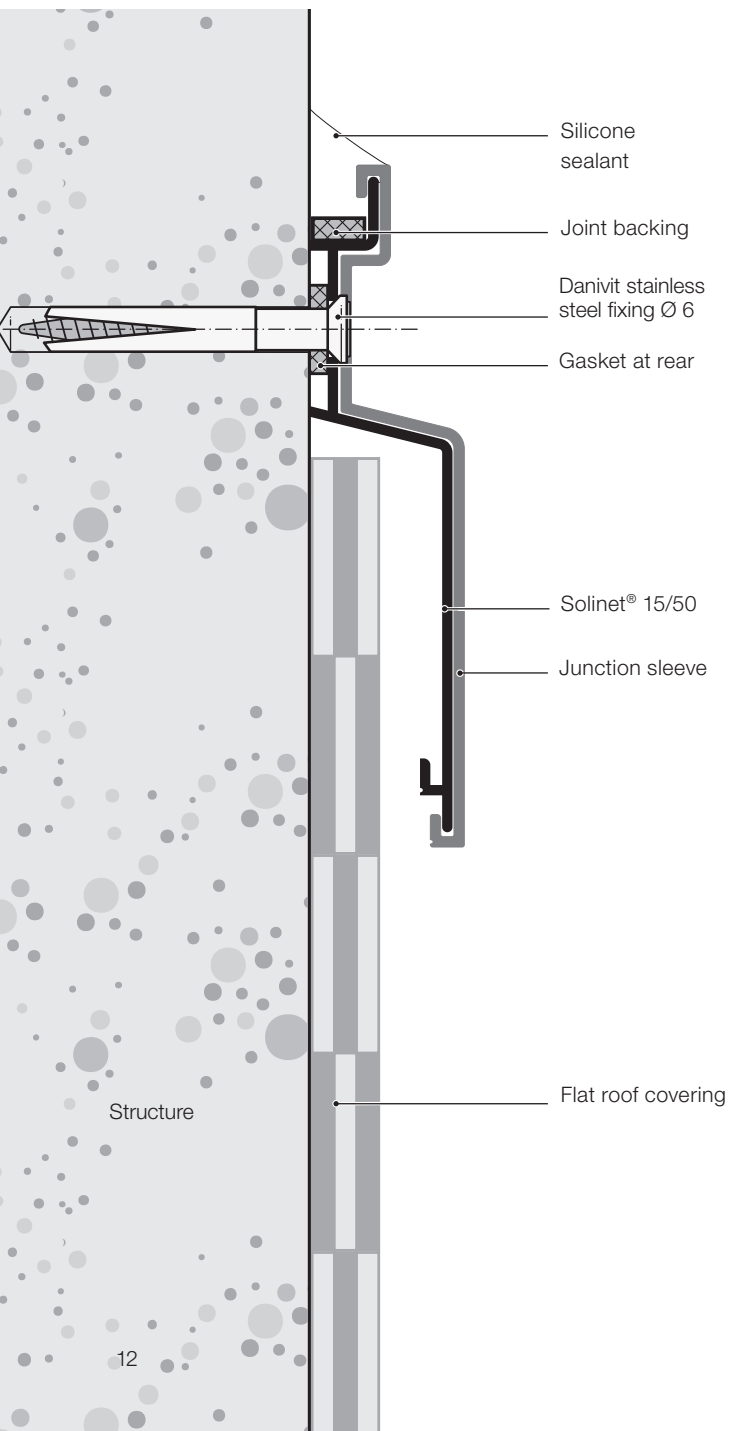


Solinet® series 50

Example of use

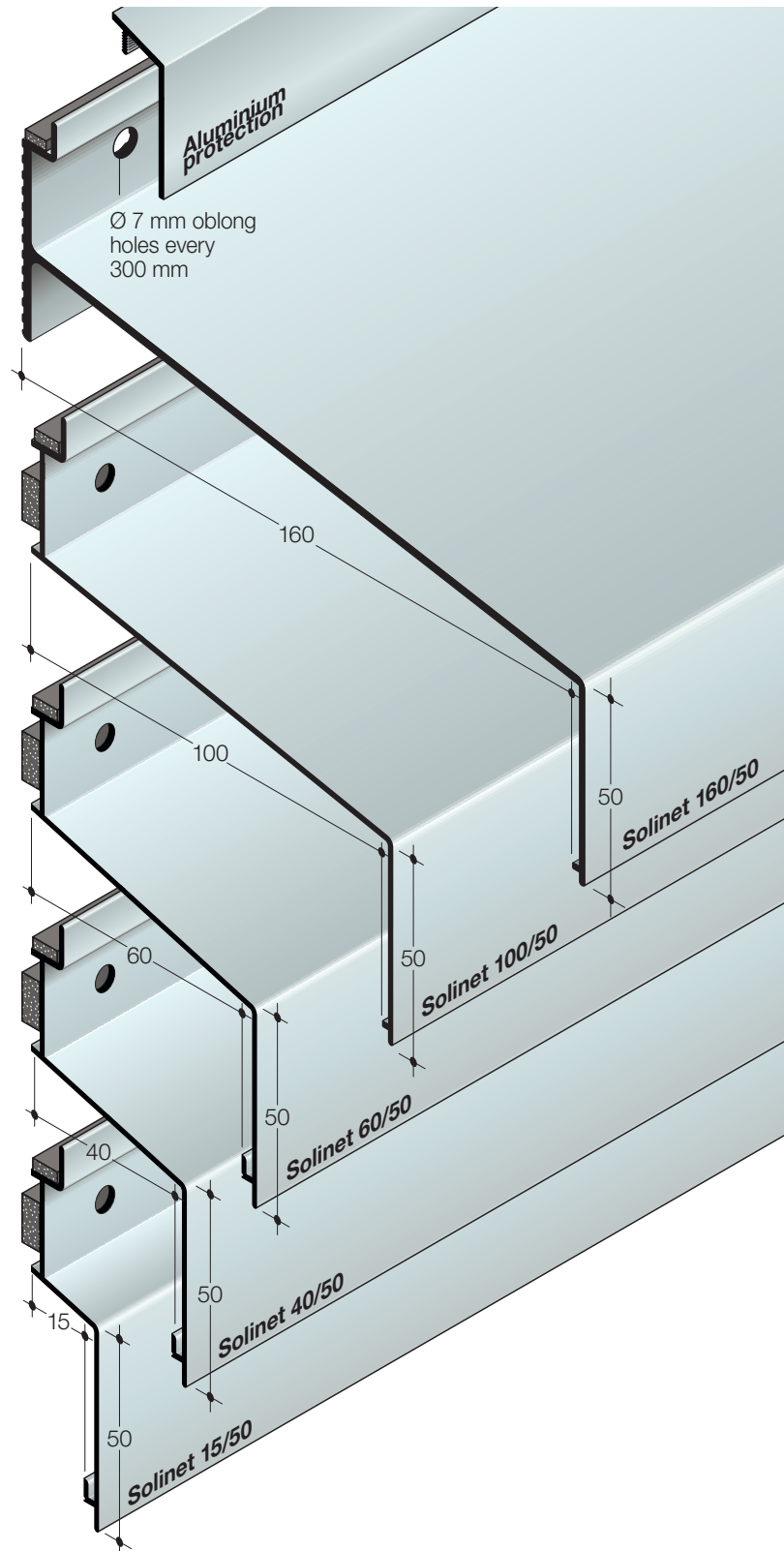
Solinet® 15/50

Ech. 1/1



French CSTB (french building procedure board)
approved certificate for serie 50 except 15/50:

- inaccessible flat roof or technical platforms
- private accessible flat roof
- planted roof or garden
- public accessible flat roof (with aluminium protection)
- inaccessible flat roof or technical platforms
- private accessible flat roof
- planted roof or garden



Solinet® series 50

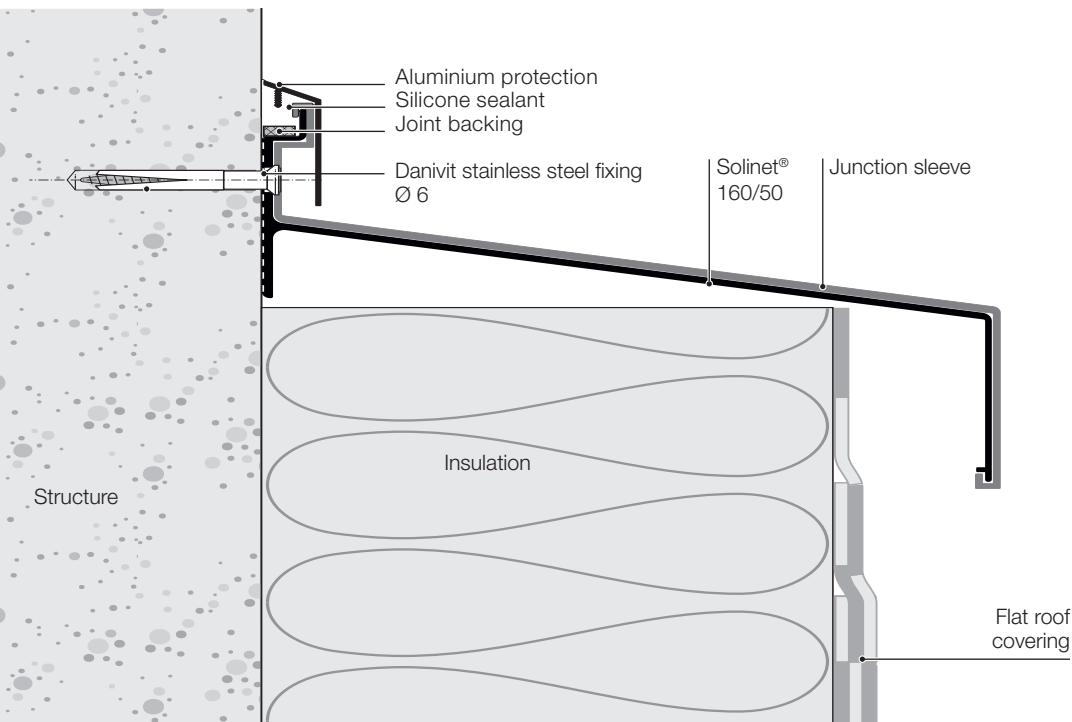
New!

Solinet® 160/50
for roofing upstands with insulation

Example of use

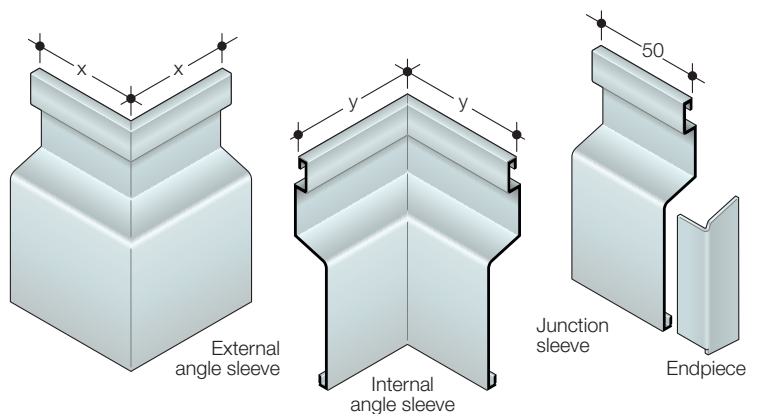
Solinet® 160/50

Ech. 1/1,5



Accessories for Solinet series 50

Size of angles	External measure «X»	Internal measure «y»
Solinet® 15/50	45 mm	60 mm
Solinet® 40/50	40 mm	100 mm
Solinet® 60/50	60 mm	120 mm
Solinet® 100/50	80 mm	180 mm
Solinet® 160/50	80 mm	240 mm



Solinet® series 100

Sismic regions approved flashing profile

French CSTB (french building procedure board) approved certificate for:

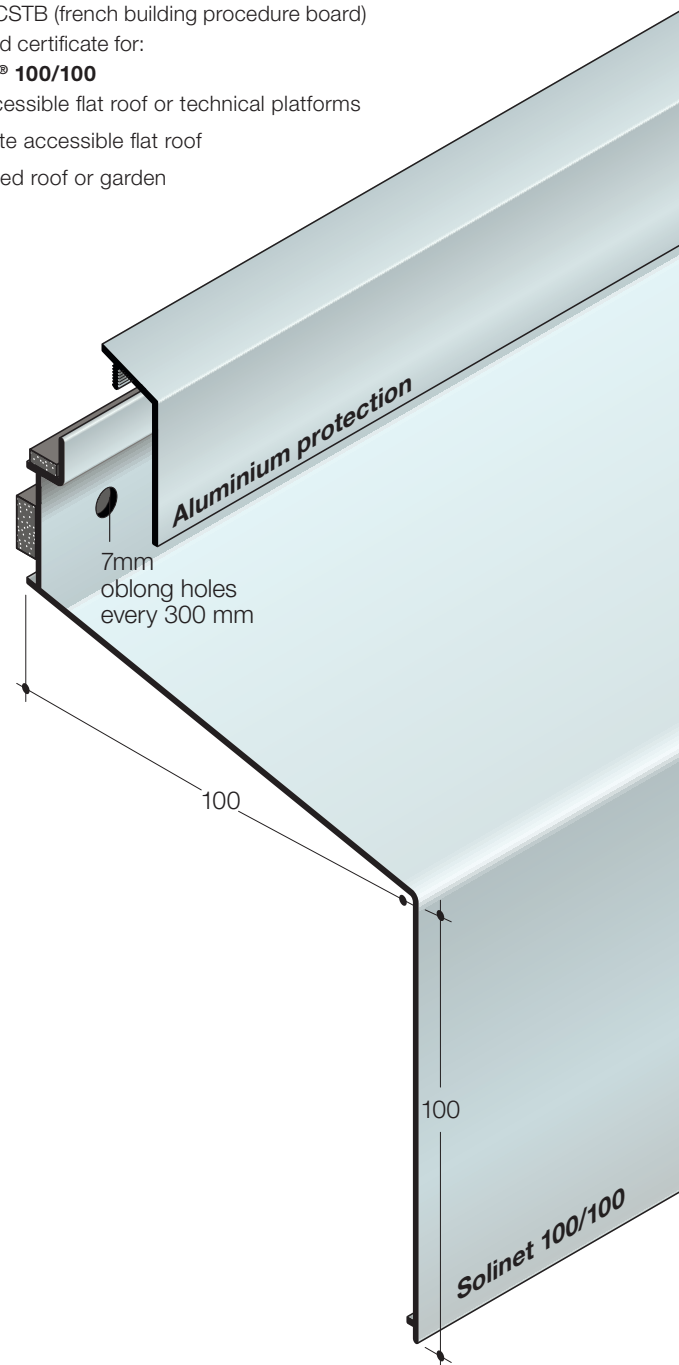
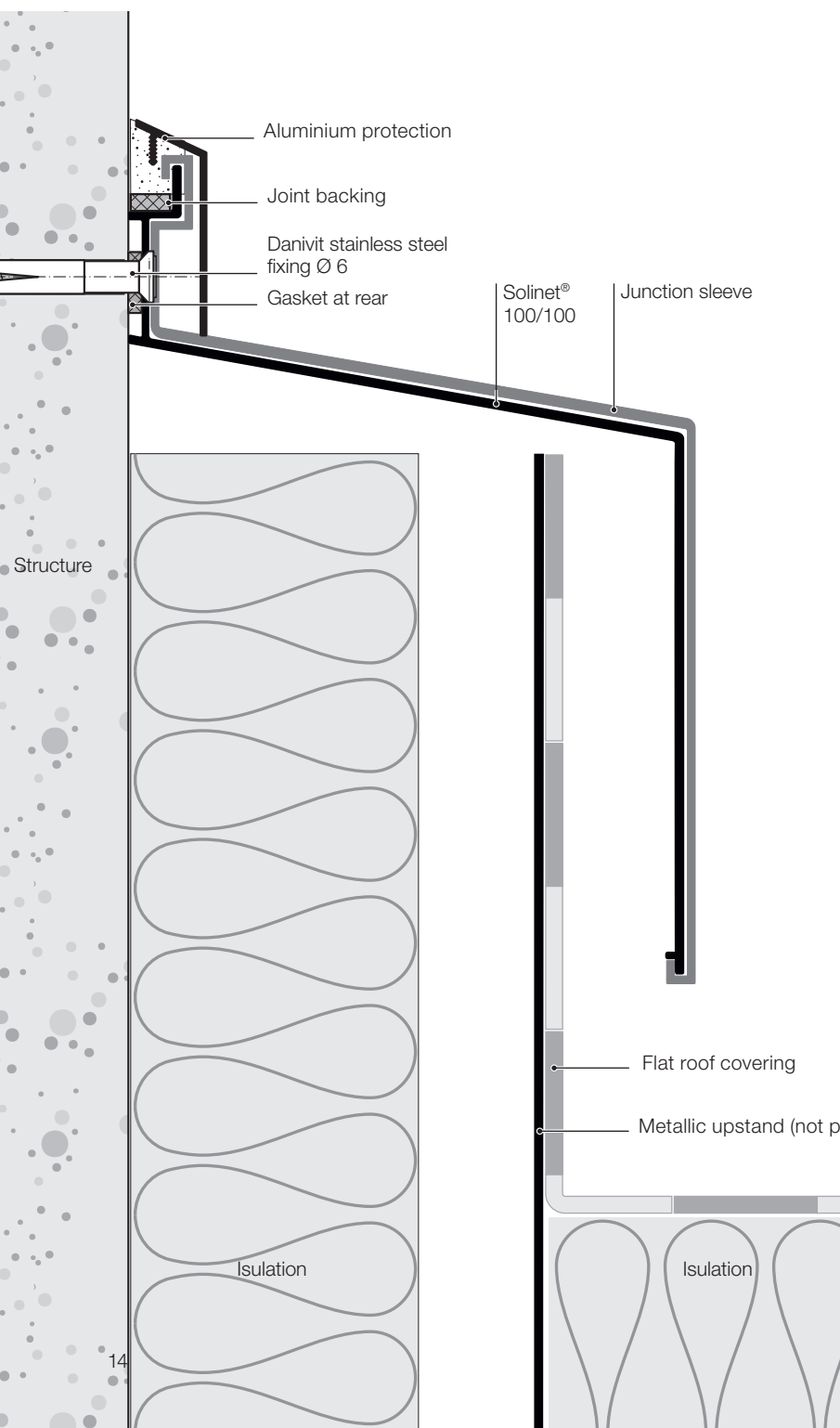
Solinet® 100/100

- inaccessible flat roof or technical platforms
- private accessible flat roof
- planted roof or garden

Example of use

Solinet® 100/100

Ech. 1/1,5



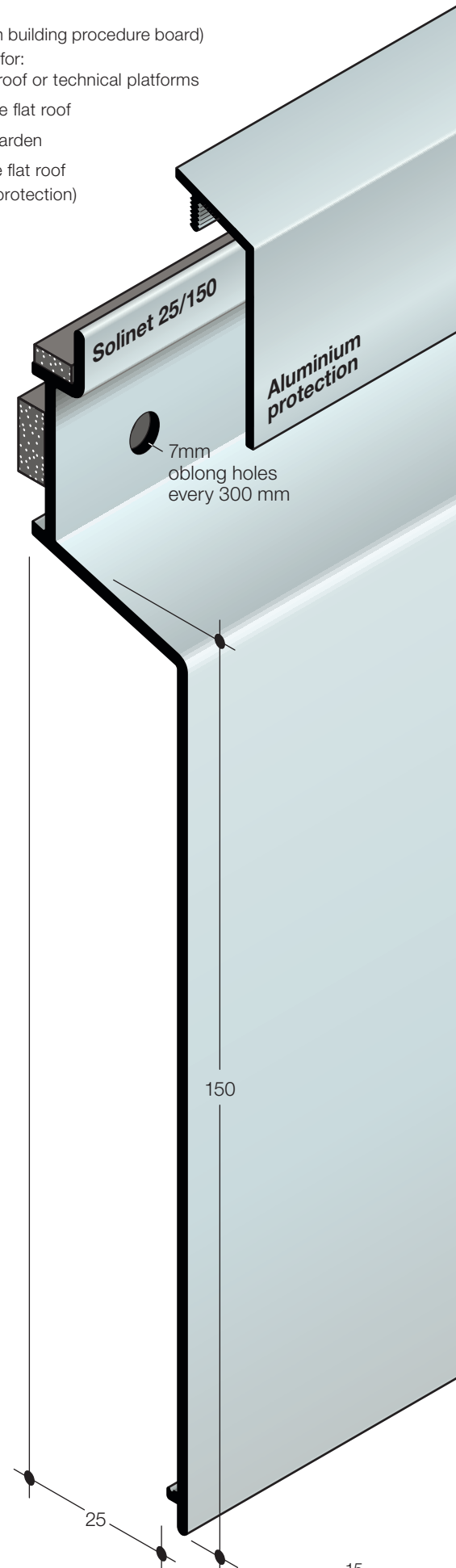
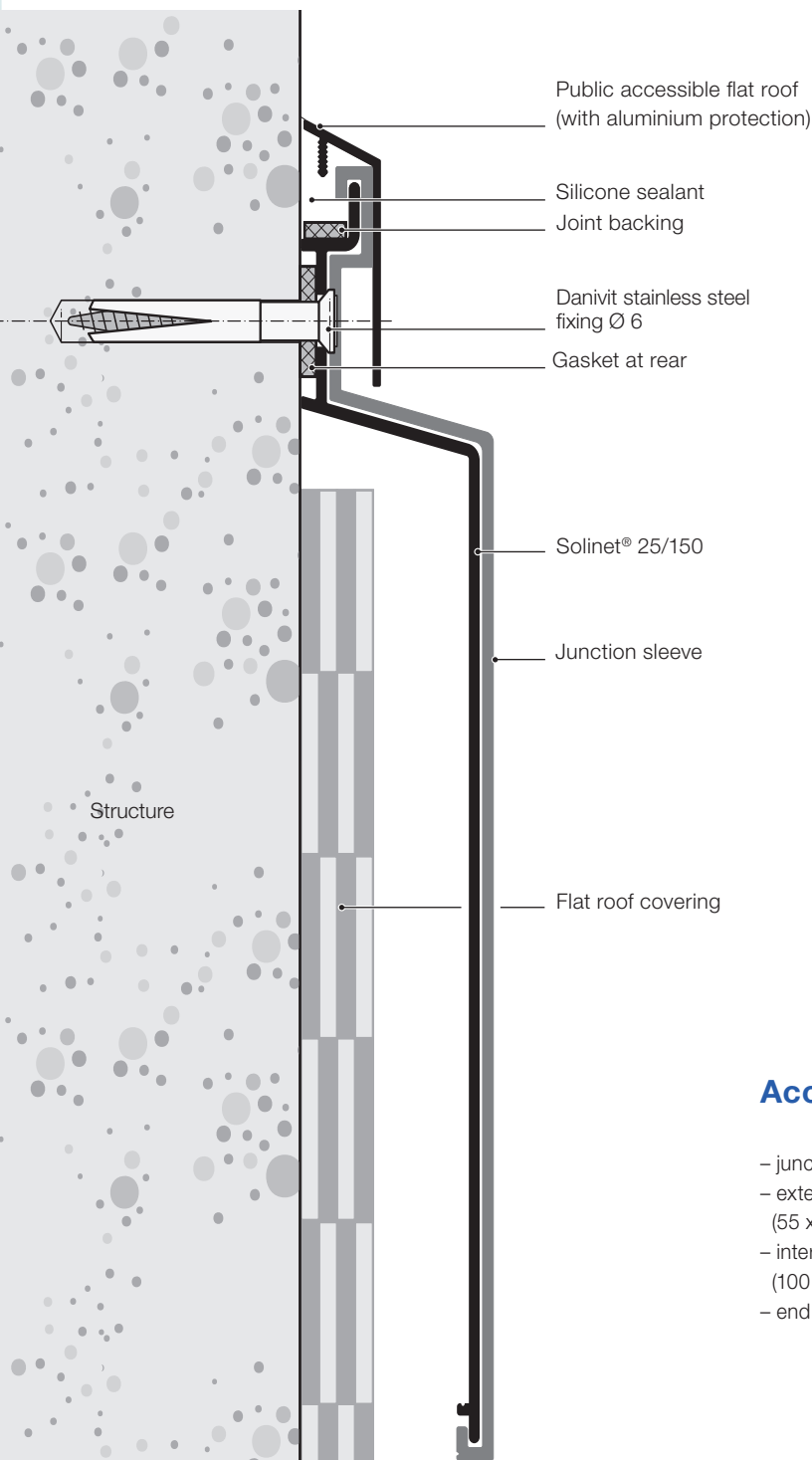
Solinet® 25/150

French CSTB (french building procedure board) approved certificate for:

- inaccessible flat roof or technical platforms
- private accessible flat roof
- planted roof or garden
- public accessible flat roof (with aluminium protection)

Example of use

Ech. 1/1



Accessoires :

- junction sleeve (50 mm)
- external angle sleeve (55 x 55 mm)
- internal angle sleeve (100 x 100 mm)
- end piece

Solinet® 160

Overlap skirting

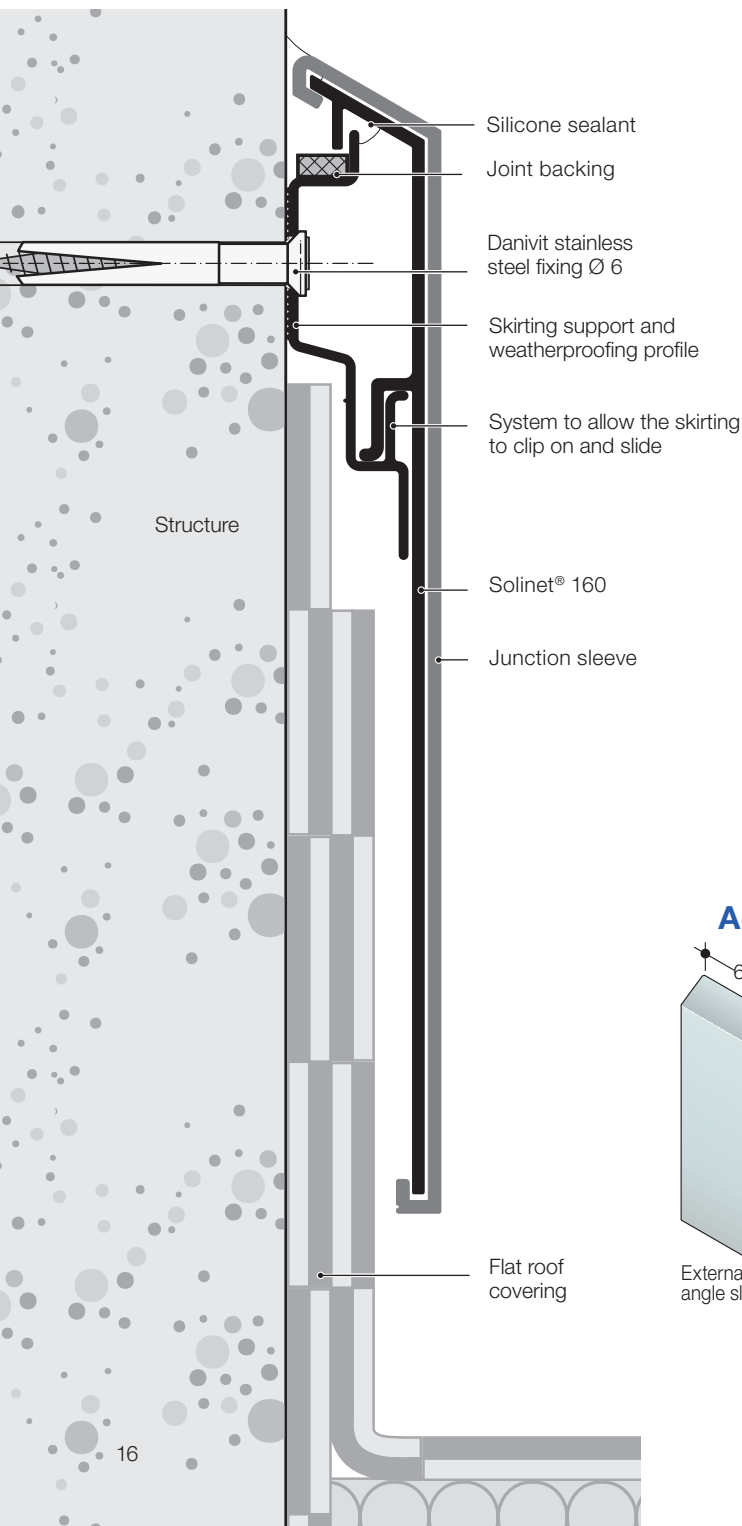
Solinet® 160 overlap skirting, patented in France and abroad, provides protection without contact with the roofcovering upstands, non-visible fixings and waterproofing are sheltered from adverse weather and UV, free expansion of the overlap profile and a new attractive appearance.

This skirting is particularly suitable for accessible flat roofs or areas of traffic, where an attractive appearance and safety are required.



Example of use

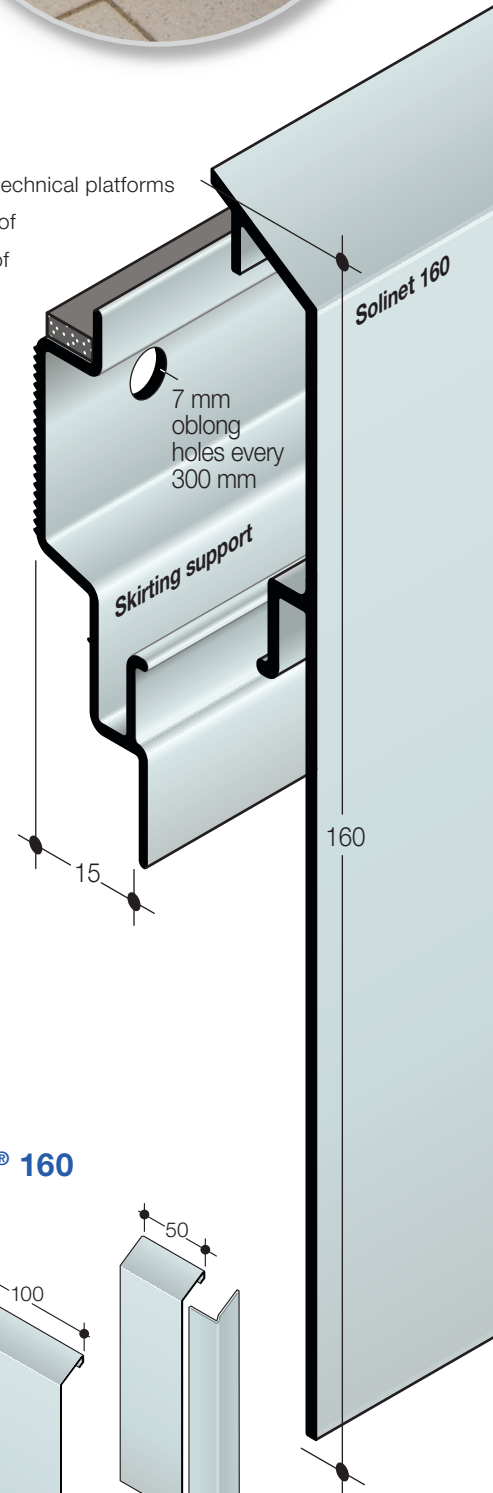
Ech. 1/1,25



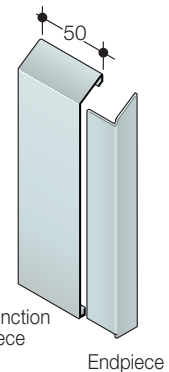
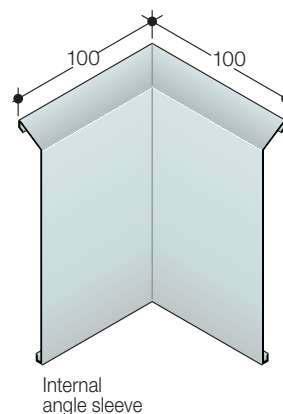
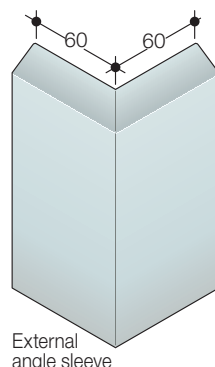
CSTB

Avis Technique CSTB pour :

- inaccessible flat roof or technical platforms
- private accessible flat roof
- public accessible flat roof
- green roof or garden



Accessories for Solinet® 160



Solinet® Contour

Solinet® Contour provides an original and attractive solution in refurbishment and in particular cases.

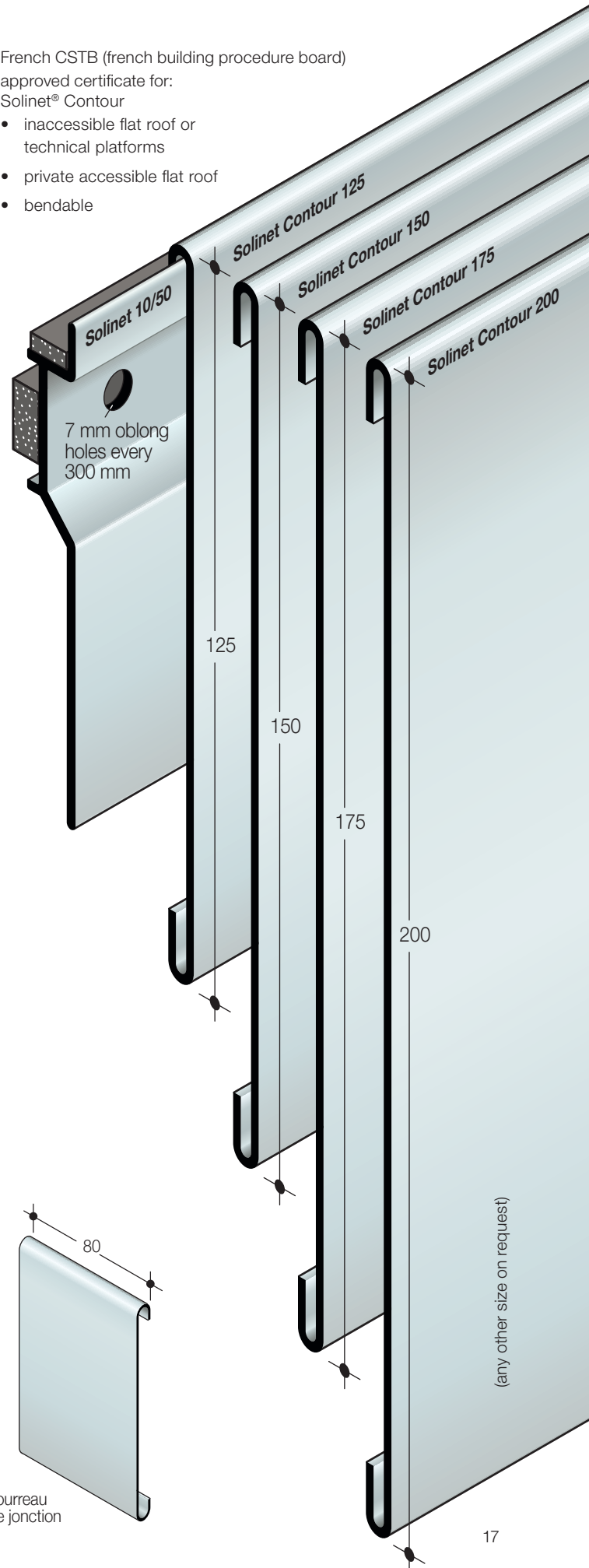
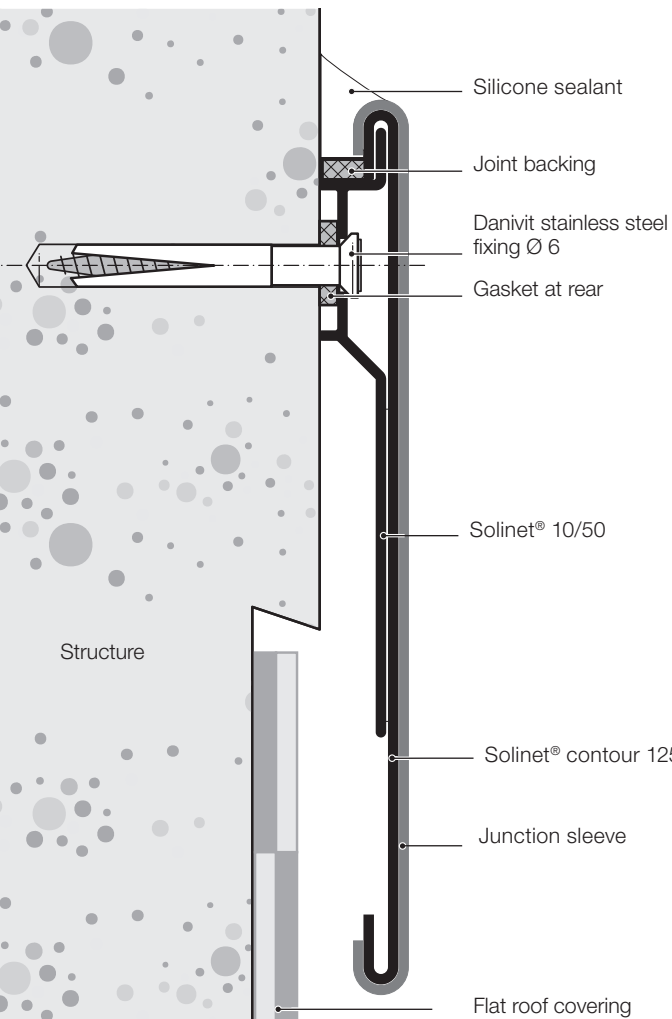
French CSTB (french building procedure board) approved certificate for:
Solinet® Contour

- inaccessible flat roof or technical platforms
- private accessible flat roof
- bendable

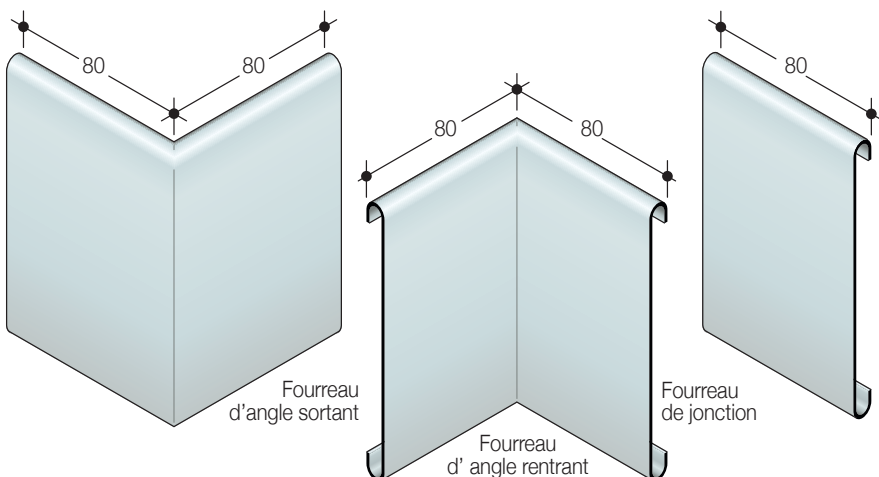
Example of use

In refurbishment with Solinet® 125

Ech. 1/1



Accessories for Solinet® Contour



Solinet® slab-support



Solinet® slab-support is a dual-function aluminium system:

- flashing to protect the top of roof covering upstands
- support for paving slab, by providing stability around the edge of the flat roof

French CSTB approved certificate for both above functions.

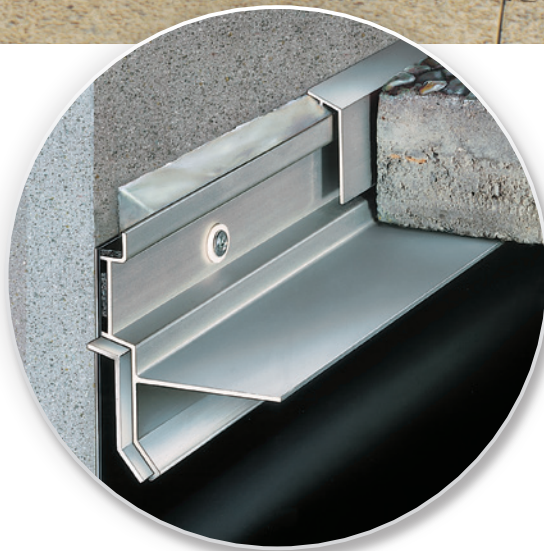
Solinet® slab-support ensures the durability of the structural work and the contractor's reputation.

Solinet® slab-support leads to cost savings:

- a single profile fulfils two functions: protective flashing and paving slab support,
- the installation of the paving slabs is simplified: the profile acts as a setting-out point for the adjustment of the pads,
- installation is faster: the paving slab support is fixed at the same time as the flashing at the perimeter,
- cost saving for the pads around the perimeter and for cutting, levelling and wedging.

Les profilés sont livrables en longueurs de 3 000 mm, pré-perçés en usine diamètre 7 tous les 300 mm.

The profiles are available in lengths of 3000 mm, with 7 mm diameter factory-drilled holes at 230 mm centres. All the patterns include accessories, such as internal and external angles, junction pieces and aluminium protection.



Solinet® slab-support

This pattern is appreciated for its discretion.
It is also suitable for use with thin paving slabs.

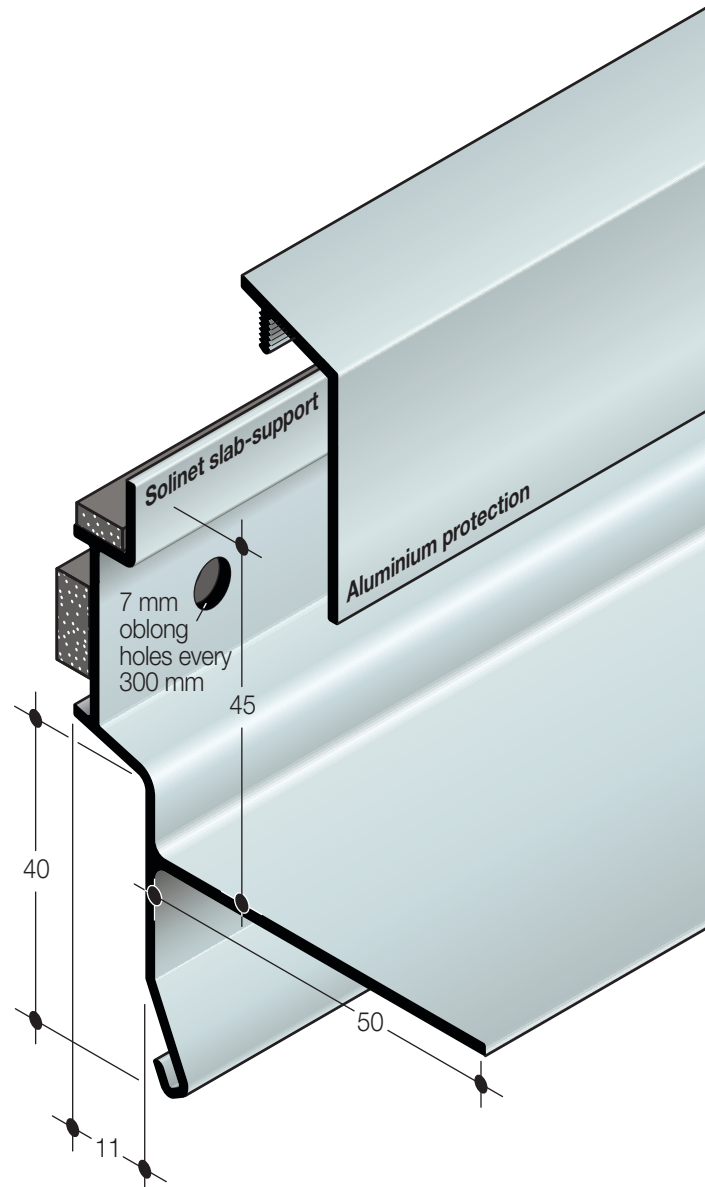
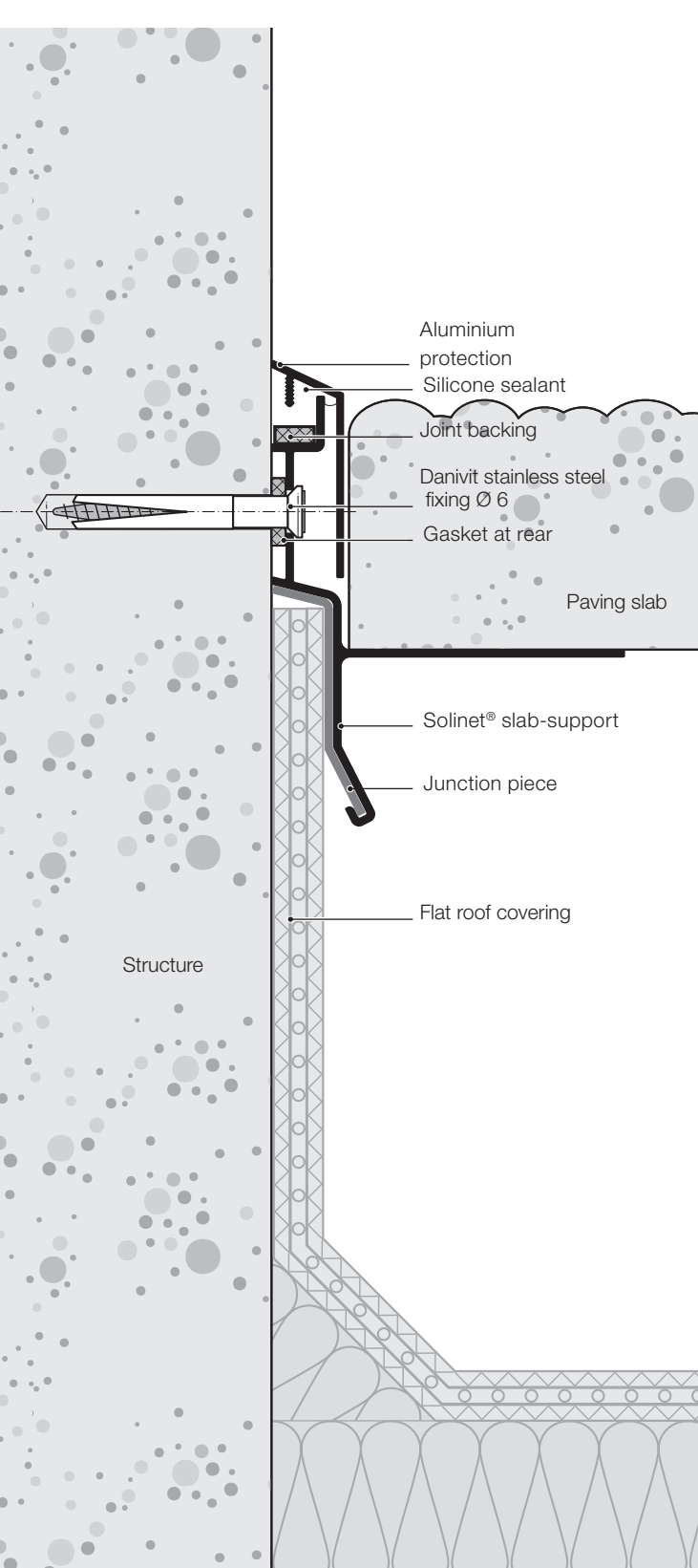
Example of use

Solinet® slab-support

Ech. 1/1

French CSTB (french building procedure board)
approved certificate for:

- inaccessible flat roof or technical platforms
- private accessible flat roof
- public accessible flat roof (with aluminium protection)
- planted roof or garden

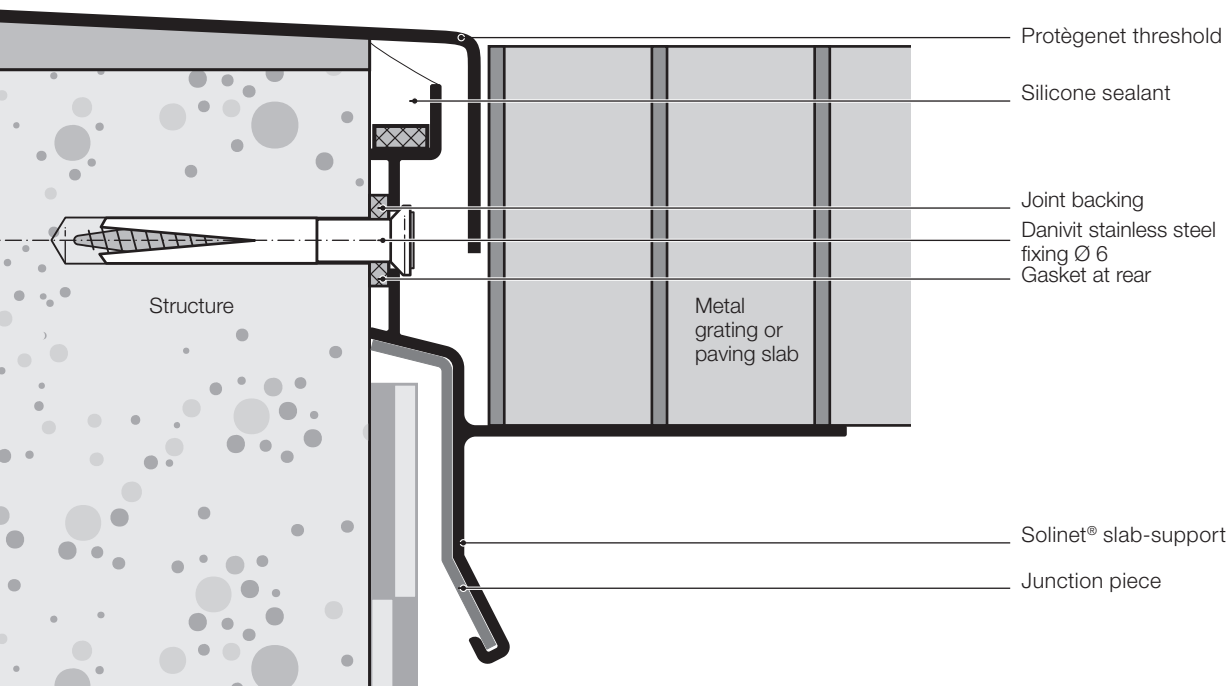


Solinet® slab-support

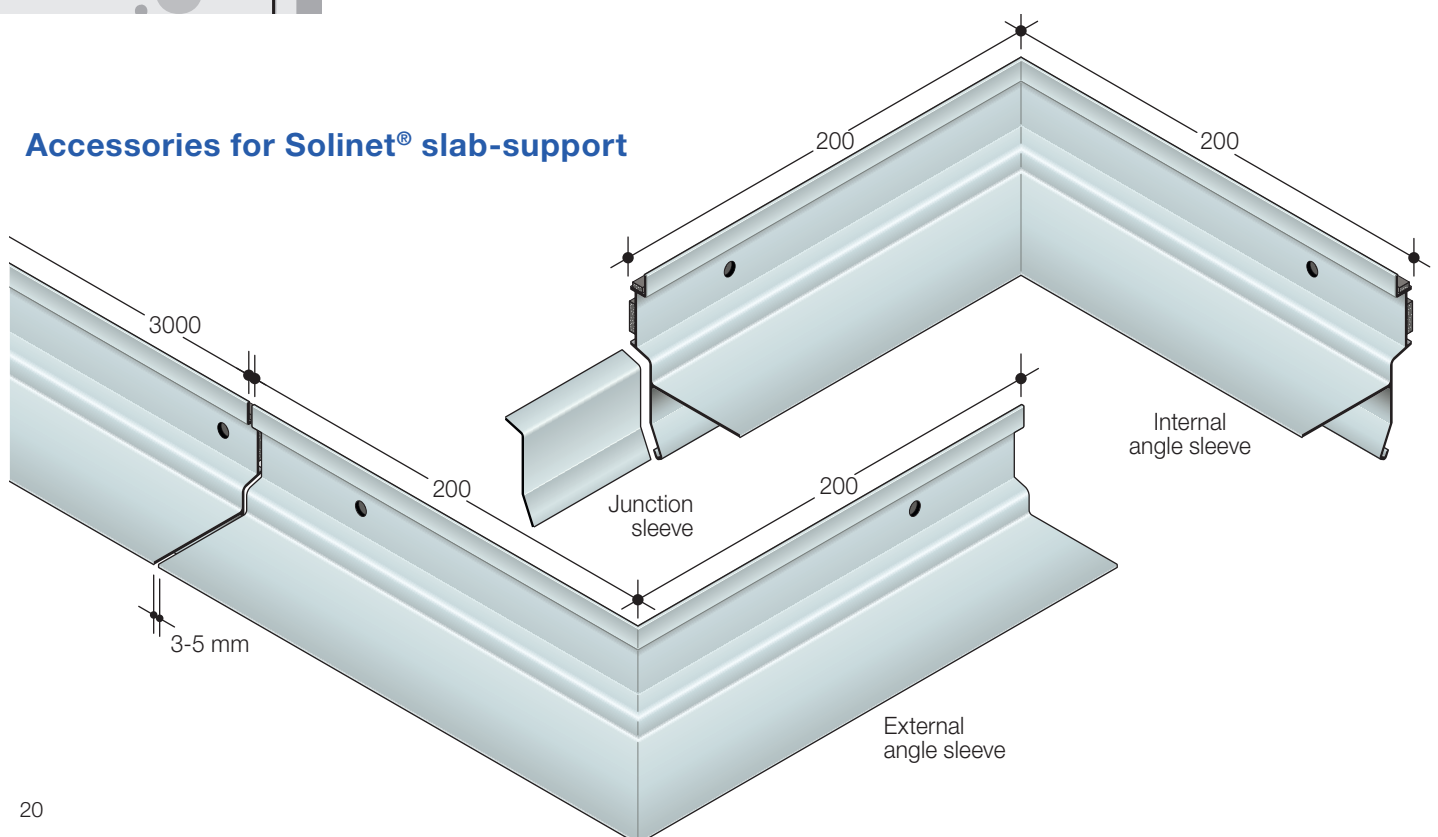
Example of use

In the case of a casement door with a grating

Ech. 1/1



Accessories for Solinet® slab-support



Solinet® Special bridge and car park

This device has been designed especially to deal with roof covering upstands in:

- civil engineering structures (bridges and viaducts)
- trafficable flat roofs
- car parks

French CSTB (french building procedure board) approved certificate for:

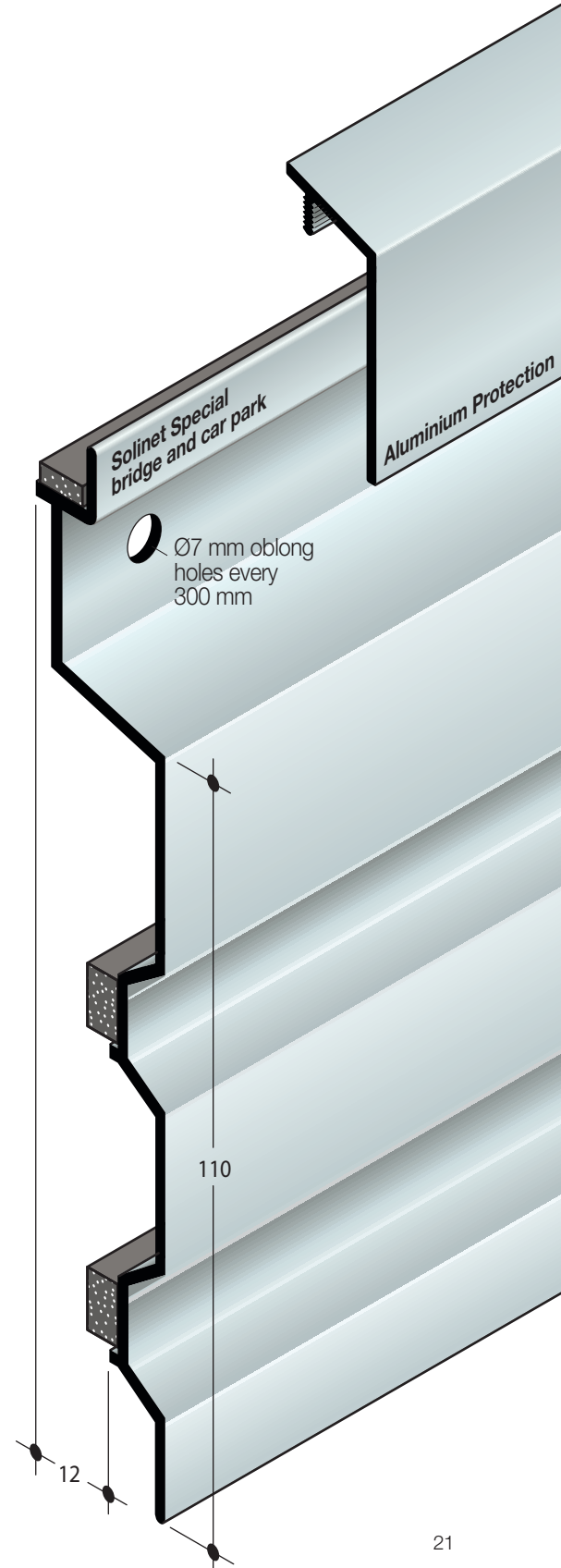
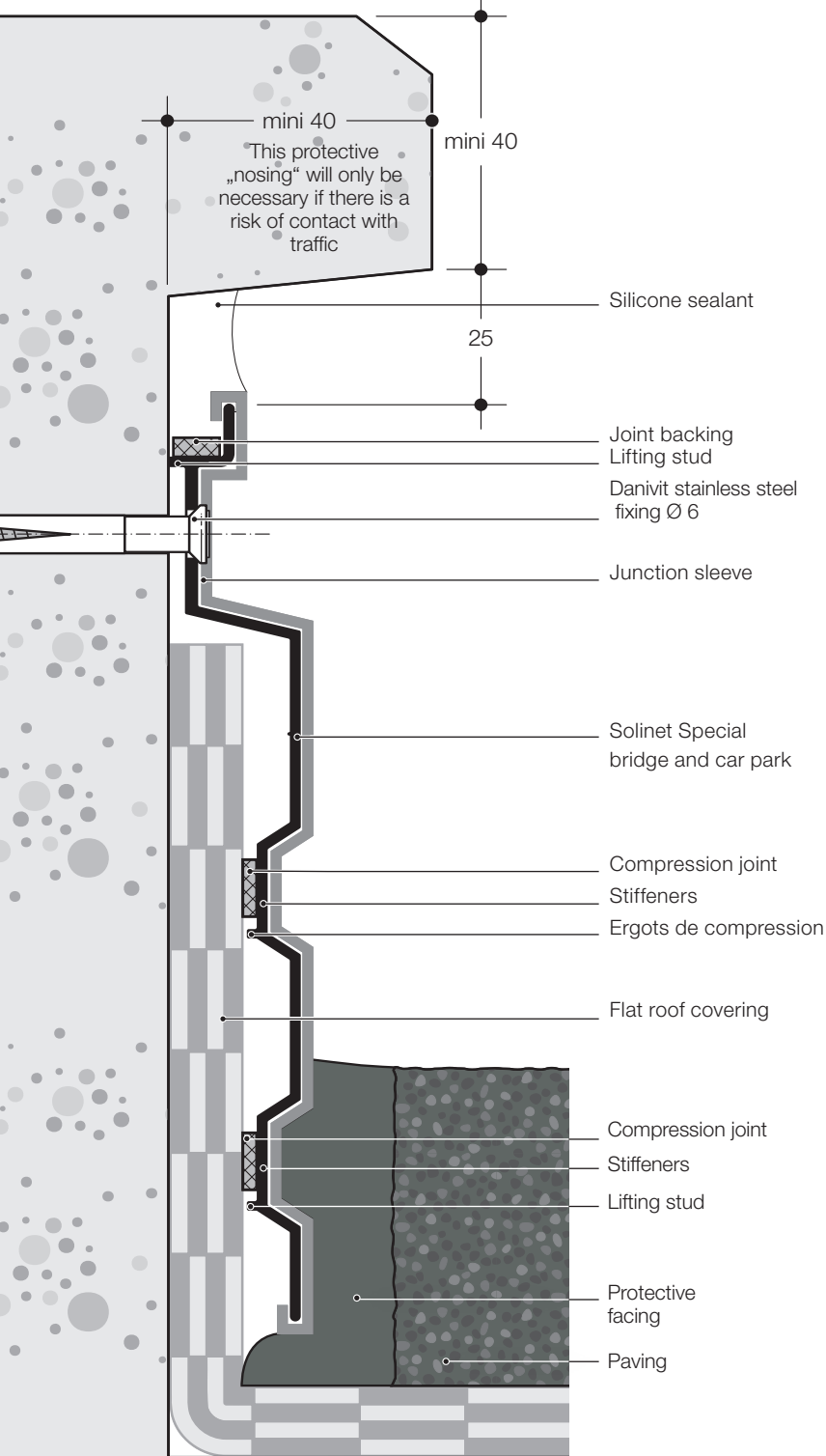
- private accessible flat roof
- public accessible flat roof (with aluminium protection)
- car park

Example of use

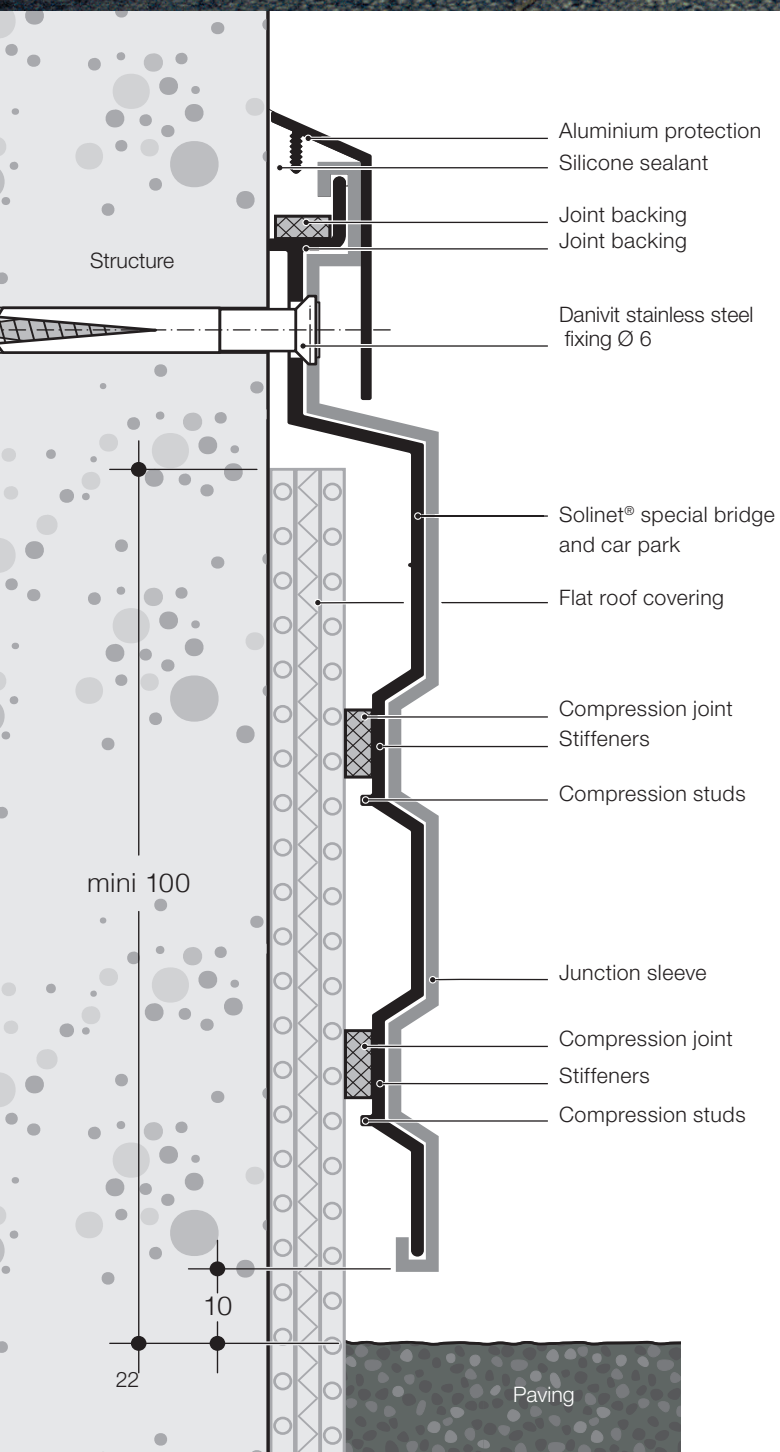
Special bridge

Ech. 1/1

Outline sketch of a screed upstand with Solinet® Special bridge



Solinet® Special bridge and car park

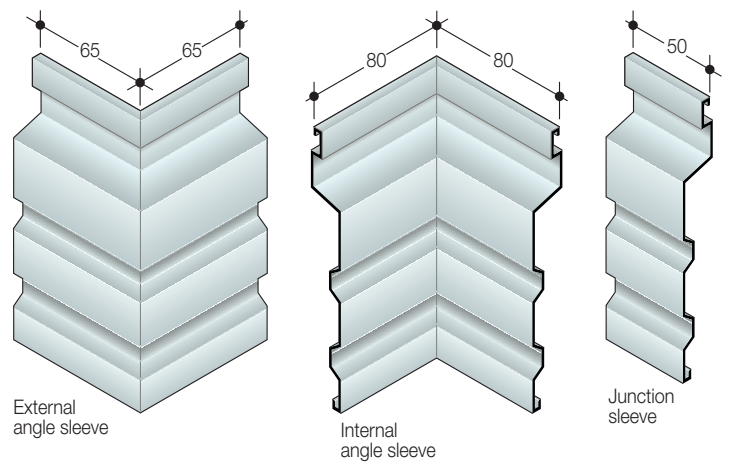


Example of use

in the case of a car park

Ech. 1/1,25

Accessories for Solinet® Special bridge and car park



Mechanical fixing of roof covering membranes

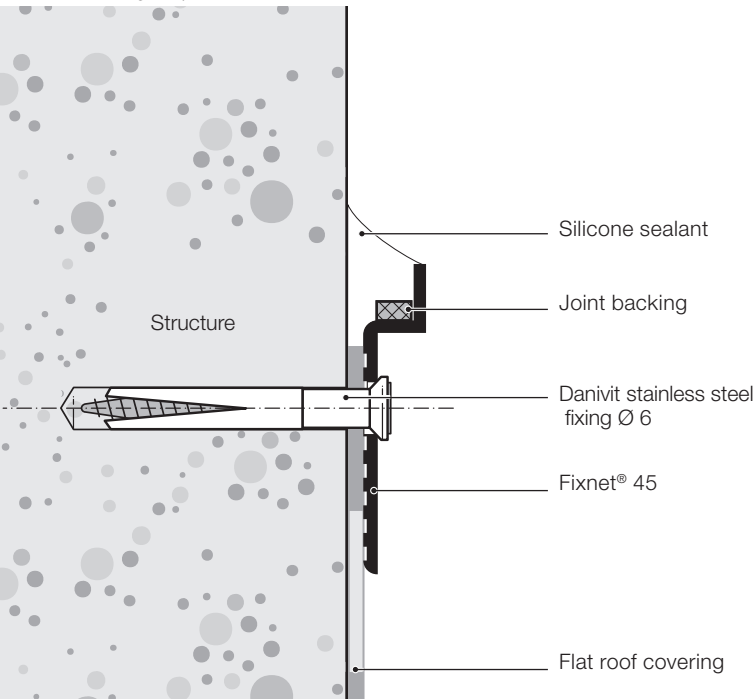
The Fixnet series is used for the mechanical fixing of roof covering membranes.

Bendable

Example of use

Fixnet® 45 - As protection for the upstand with joint backing

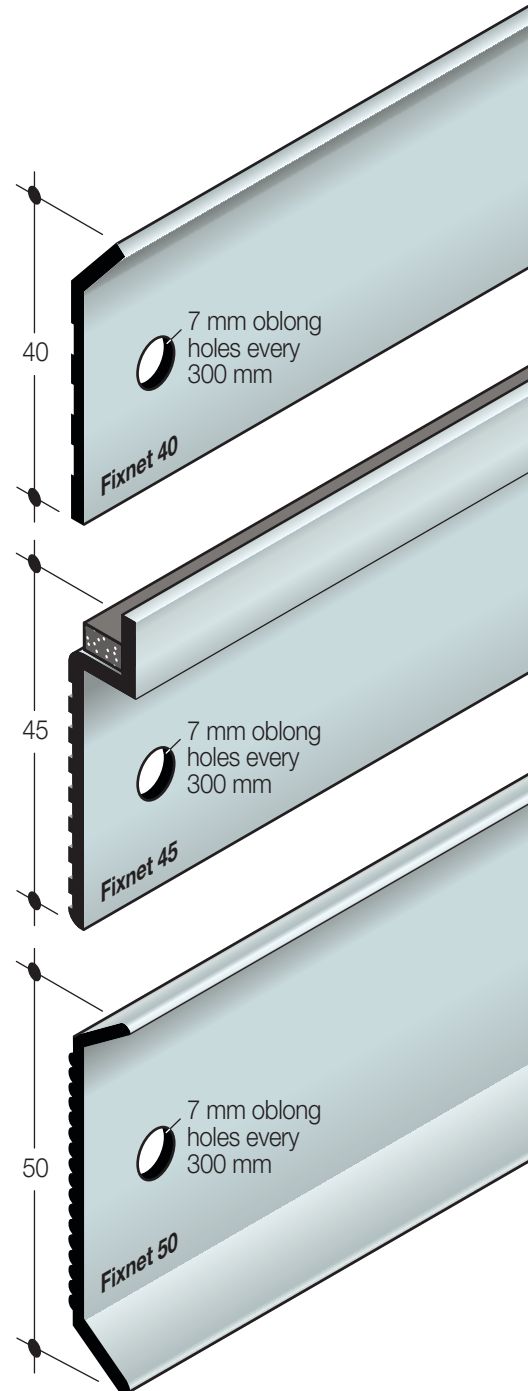
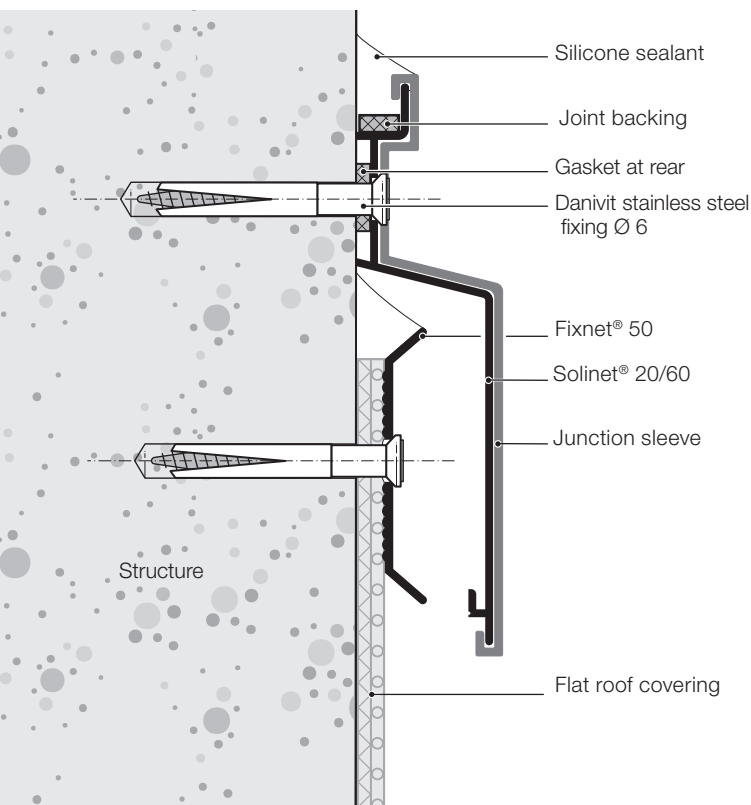
Ech. 1/1



Example of use

Fixnet® 50 - For mechanical fixing

Ech. 1/1



Porte-enduit

This flashing profiles enable the proper finish of frontage coatings it must be installed prior to the frontage coating.

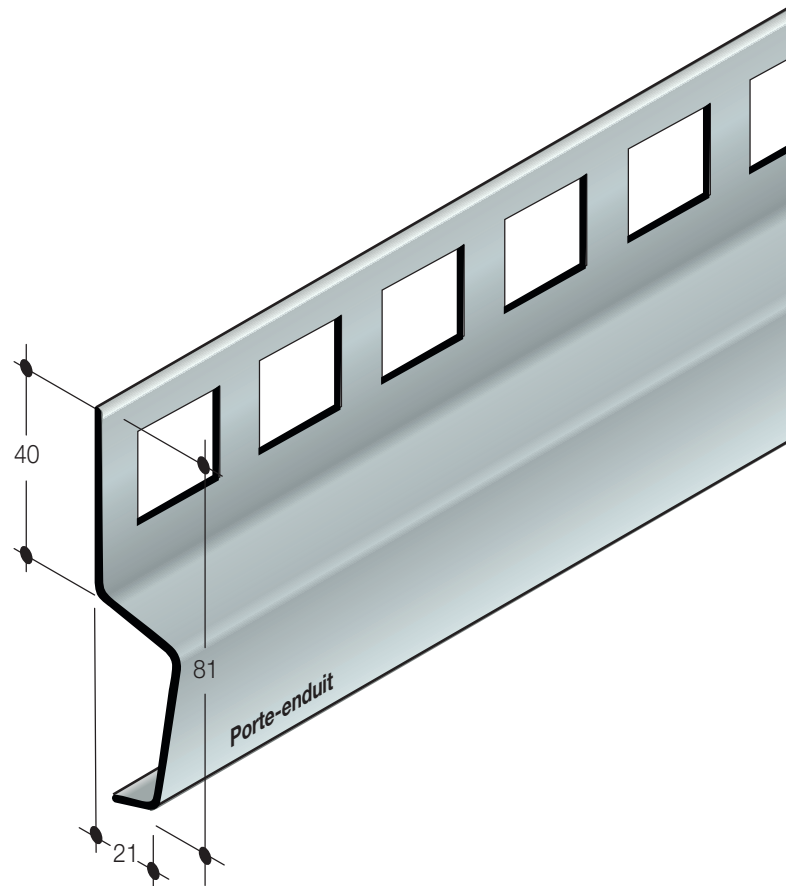
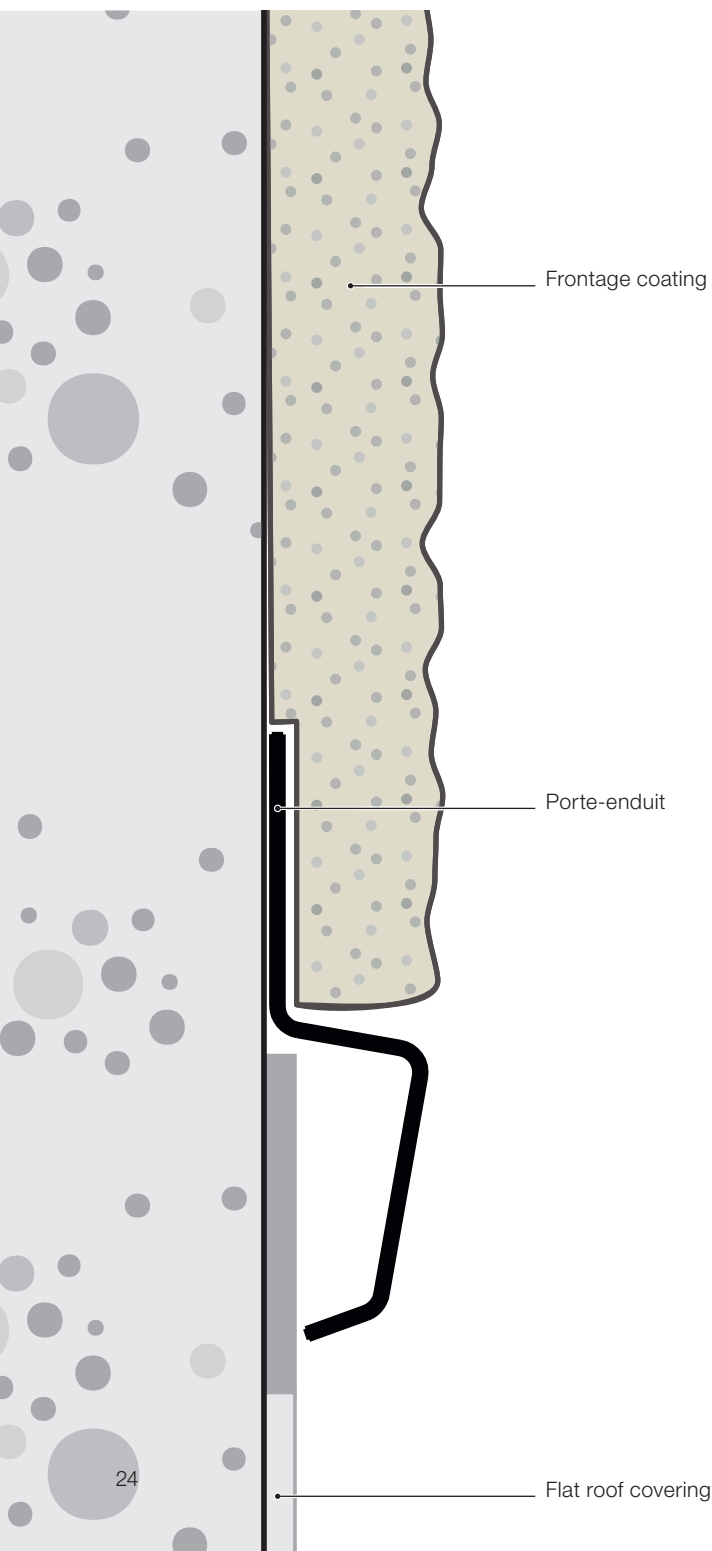
Delivered in 3 meter lengths without accessories.

Delivered in 3 meter lengths without accessories.

Example of use

Porte Enduit

Ech. 1/1



Solinet® 70

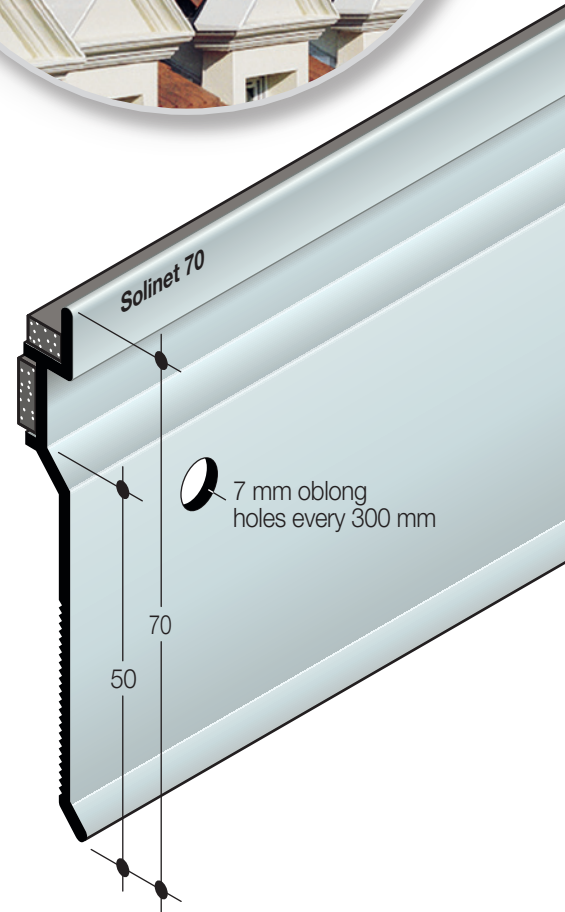
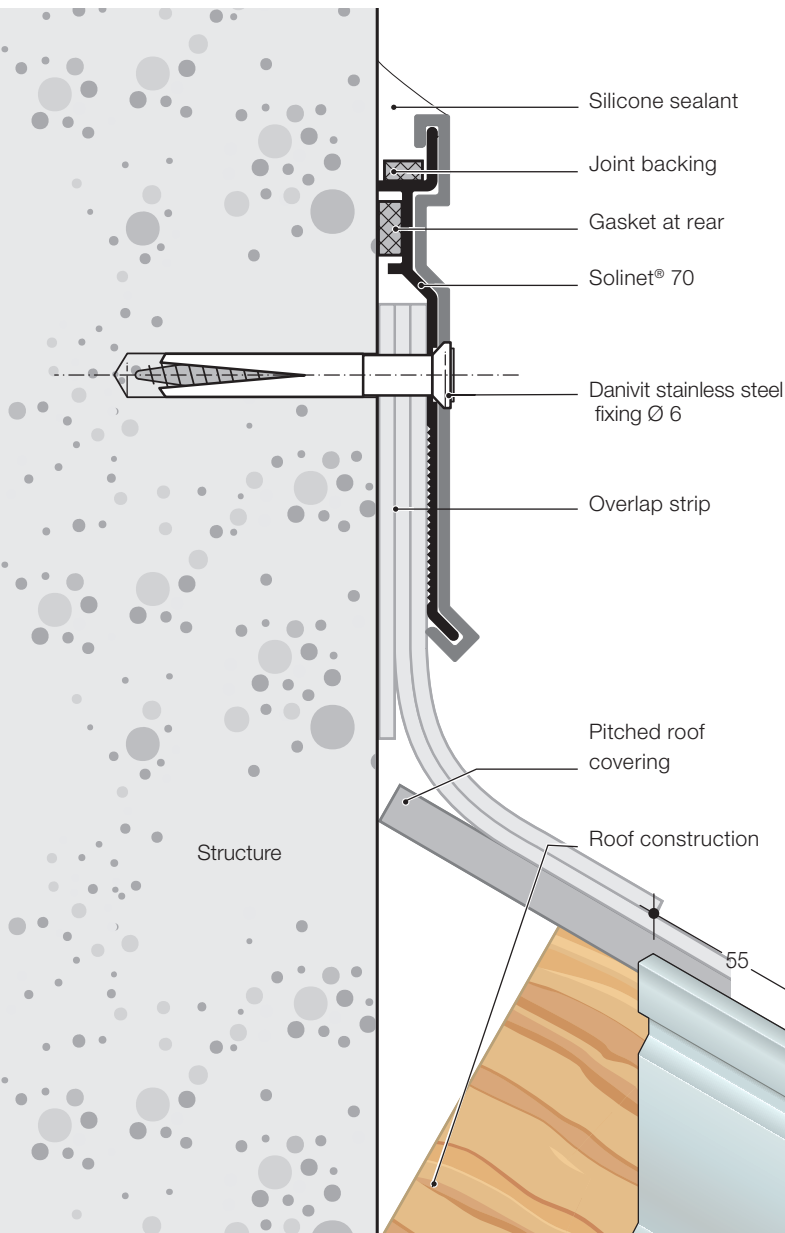
Traditional pitched roof covering

Solinet® 70 is used for the protection and making good of weatherproofing upstands in pitched roofing. Bendable. Bendable.

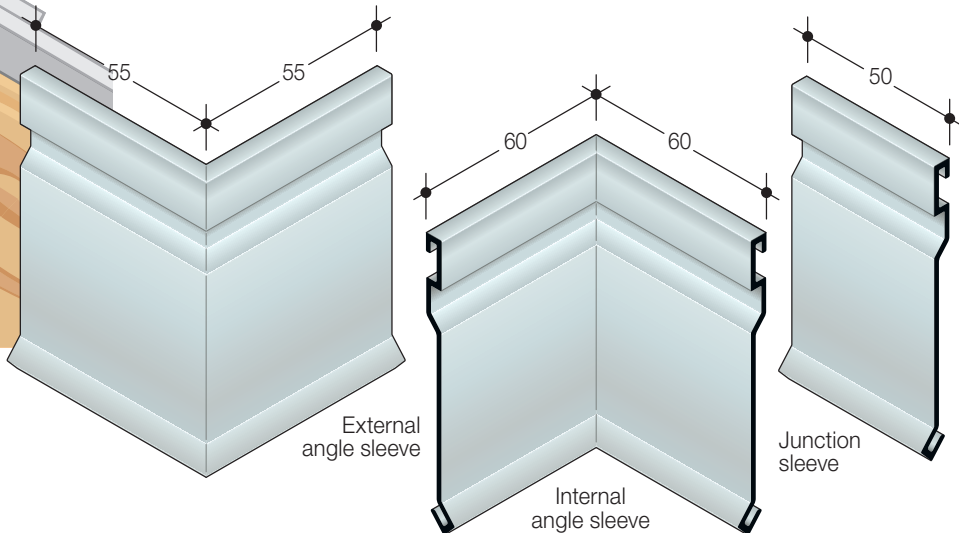
Example of use

Making good at side and front eaves using Solinet® on pitched roofing of bitumen strips or interlocking tiles

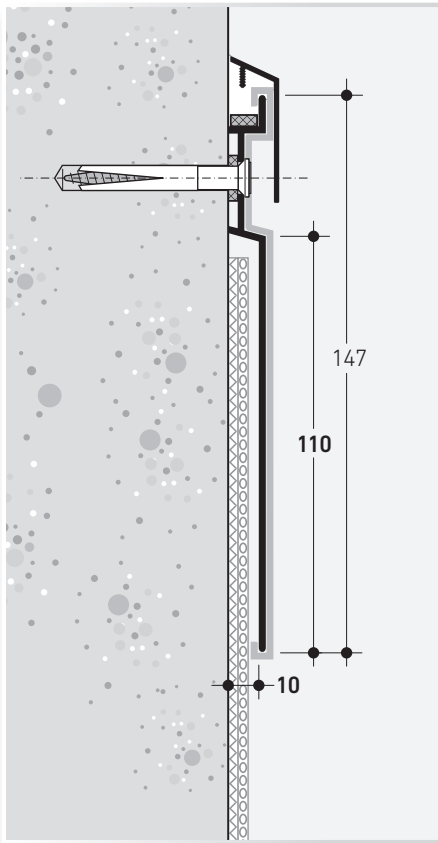
Ech. 1/1



Accessories for Solinet® 70



Sample specifications



Solinet® 10/110

Extruded aluminium strip flashing with square-throat and double seal at the head, as manufactured by dani alu (Tel. +33 4 78 19 81 41), or technically equivalent.

Pattern:

Solinet® 10/110 for inaccessible flat roof or technical platforms (aluminium protection recommended in a public location), green roof or garden, comprising:

- pre-drilled extruded profile;
- with a square throat;
- and provided with 2 factory-prefixed gaskets:
 - a joint backing in the throat to counter the expansion of the sealant, it prevents drying out and premature cracking;
 - a joint at the rear to compensate for irregularities in the masonry background, acts as a support for the joint sealant.

Overlap 110 mm – projection 10 mm.

The angle and junction accessories shall be factory-prefabricated; they shall be made as sleeves, in order to guarantee proper waterproofing of the connection. (Accessories bent on site, soffit plates or internal half-connections will not be accepted).

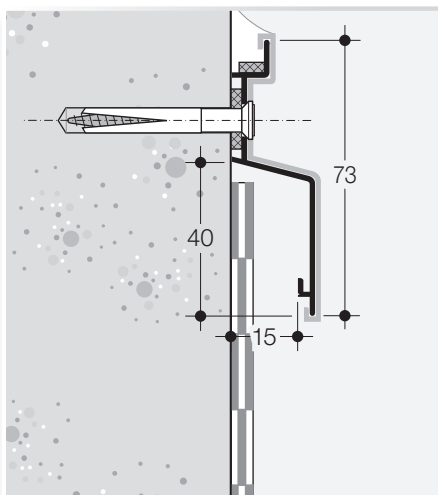
Surface treatment: (select from these 2 possibilities)

Mill finish aluminium:

(non-treated aluminium. Reflective appearance, becoming matt over time)

Powder-coated aluminium in any colour:

(powder-coated aluminium in any colour from the Danilac RAL range).



Solinet® 15/40

Inaccessible flat roof or technical platforms, accessible private location, green roof or garden

Extruded aluminium strip flashing with square-throat and double seal at the head, as manufactured by dani alu (Tel. +33 4 78 19 81 41), or technically equivalent.

Pattern:

Solinet® 15/40 for inaccessible flat roof or technical platforms, accessible private location, green roof or garden, comprising:

- pre-drilled extruded profile;
- with a square throat;
- and provided with 2 factory-prefixed gaskets:
 - a joint backing in the throat to counter the expansion of the sealant, it prevents drying out and premature cracking;
 - a joint at the rear to compensate for irregularities in the masonry background, acts as a support for the joint sealant.

Overlap 40 mm – projection 15 mm.

The angle and junction accessories shall be factory-prefabricated; they shall be made as sleeves, in order to guarantee proper waterproofing of the connection. (Accessories bent on site, soffit plates or internal half-connections will not be accepted).

Surface treatment: (select from these 2 possibilities)

Mill finish aluminium:

(non-treated aluminium. Reflective appearance, becoming matt over time)

Powder-coated aluminium in any colour:

(powder-coated aluminium in any colour from the Danilac RAL range).

Download the typical sections and specification clauses you need for your project from www.danialu.com

Company stamp

Purchase Price request

(Tick the required option)

Please provide the following information.

Date:

Company (address /company stamp):

Contact: Mrs/Mr.

Phone number: Fax:

Mobile phone: Email:

Type of project new build refurbishment **Site reference:**

Project phase design contract

Delivery address

Pattern	Linear metres	Junc-tions	External angles	Internal angles	Pair of end pieces	Aluminium protection	Mill finish aluminium	Danilac powder coating to RAL colour
Inaccessible flat roof or technical platforms								
<input type="checkbox"/> Solinet® Contour 125		<input type="checkbox"/>	<input type="checkbox"/>
<input type="checkbox"/> Solinet® Contour 150		<input type="checkbox"/>	<input type="checkbox"/>
<input type="checkbox"/> Solinet® Contour 175		<input type="checkbox"/>	<input type="checkbox"/>
<input type="checkbox"/> Solinet® Contour 200		<input type="checkbox"/>	<input type="checkbox"/>
Private accessible flat roof (or inaccessible flat roof or technical platforms, green roof or garden)								
<input type="checkbox"/> Solinet® 10/50 (bendable)	<input type="checkbox"/>	<input type="checkbox"/>	<input type="checkbox"/>
<input type="checkbox"/> Solinet® 15/40	<input type="checkbox"/>	<input type="checkbox"/>	<input type="checkbox"/>
<input type="checkbox"/> Solinet® 15/50	<input type="checkbox"/>	<input type="checkbox"/>	<input type="checkbox"/>
<input type="checkbox"/> Solinet® 20/60	<input type="checkbox"/>	<input type="checkbox"/>	<input type="checkbox"/>
<input type="checkbox"/> Solinet® 100/100	<input type="checkbox"/>	<input type="checkbox"/>	<input type="checkbox"/>
Public accessible flat roof* (or inaccessible flat roof or technical platforms, private accessible flat roof, green roof or garden) *with aluminium protection								
<input type="checkbox"/> Solinet® 10/110 (bendable)	<input type="checkbox"/>	<input type="checkbox"/>	<input type="checkbox"/>
<input type="checkbox"/> Solinet® 20/100	<input type="checkbox"/>	<input type="checkbox"/>	<input type="checkbox"/>
<input type="checkbox"/> Solinet® 40/50	<input type="checkbox"/>	<input type="checkbox"/>	<input type="checkbox"/>
<input type="checkbox"/> Solinet® 60/50	<input type="checkbox"/>	<input type="checkbox"/>	<input type="checkbox"/>
<input type="checkbox"/> Solinet® 100/50	<input type="checkbox"/>	<input type="checkbox"/>	<input type="checkbox"/>
<input type="checkbox"/> Solinet® 160/50	<input type="checkbox"/>	<input type="checkbox"/>	<input type="checkbox"/>
<input type="checkbox"/> Solinet® 25/150	<input type="checkbox"/>	<input type="checkbox"/>	<input type="checkbox"/>
<input type="checkbox"/> Solinet® 160	<input type="checkbox"/>	<input type="checkbox"/>	<input type="checkbox"/>
<input type="checkbox"/> Solinet® 70	<input type="checkbox"/>	<input type="checkbox"/>	<input type="checkbox"/>

dani alu France

Phone: +33 4 78 19 81 41
export@danielu.fr
www.danielu.fr

dani alu Germany

Phone: +49 6021 453 020
post@danielu.de
www.danielu.de

dani alu United Kingdom

Phone: +44 1865 59160
contact@danielu.co.uk
www.danielu.co.uk

dani alu Sweden

Phone: +46 72 555 08 09
info@danielu.se
www.danielu.se

Pattern	Linear metres	Junctions	External angles	Internal angles	Pair of end pieces	Aluminium protection	Mill finish aluminium	Danilac powder coating to RAL colour
Flat roof with paving slabs on pads								
<input type="checkbox"/> Solinet® slab-support		<input type="checkbox"/>	<input type="checkbox"/>	<input type="checkbox"/>
Public works								
<input type="checkbox"/> Solinet® Special bridge and car park		<input type="checkbox"/>	<input type="checkbox"/>	<input type="checkbox"/>
Mechanical fixing of membranes								
<input type="checkbox"/> Fixnet® 40						<input type="checkbox"/>	<input type="checkbox"/>
<input type="checkbox"/> Fixnet® 45						<input type="checkbox"/>	<input type="checkbox"/>
<input type="checkbox"/> Fixnet® 50						<input type="checkbox"/>	<input type="checkbox"/>
Porte-enduit								
<input type="checkbox"/> Porte-enduit						<input type="checkbox"/>	<input type="checkbox"/>
Traditional pitched roof covering								
<input type="checkbox"/> Solinet® 70			<input type="checkbox"/>	<input type="checkbox"/>

dani alu France

Phone: +33 478 878 973
 E-mail: export@danialu.com
 www.danialu.com

dani alu Germany

Phone: +49 6021 453 020
 E-mail: post@danialu.de
 www.danialu.de

dani alu Austria

Phone: +43 650 6500 000
 E-mail: post@danialu.at
 www.danialu.info

dani alu United Kingdom

Phone: +44 1865 59160
 E-mail: contact@danialu.co.uk
 www.danialu.com